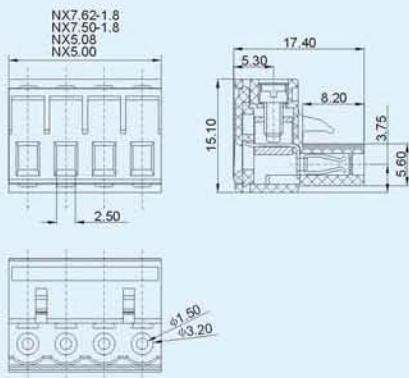




**2EDGK-5.0 2EDGK-5.08**  
**2EDGK-7.5 2EDGK-7.62**



Pitch: 5.0mm, 5.08mm, 7.5mm, 7.62mm  
Poles: 2P~24P

• **Material**

Screws : M2.5 steel Zinc plated  
Contact : Phosphor bronze  
Housing : PA66, UL94V-0

• **Electrical**

Rated voltage : 300V  
Rated current : 15A  
Contact resistance : 20mΩ  
Insulation resistance: 5000MΩ/DC1000V  
Withstanding voltage: AC2000V/1Min  
Wire range : 28-12AWG 2.5mm<sup>2</sup>

• **Mechanical**

Temp. Range : -40°C~+105°C  
Torque : 0.4Nm(3.6lb.in)  
Strip length : 7-8mm

• **材质及电镀**

螺丝 : M2.5, 钢, 镀锌  
触点材料: 磷青铜  
塑件 : PA66, UL94V-0

• **电气性能**

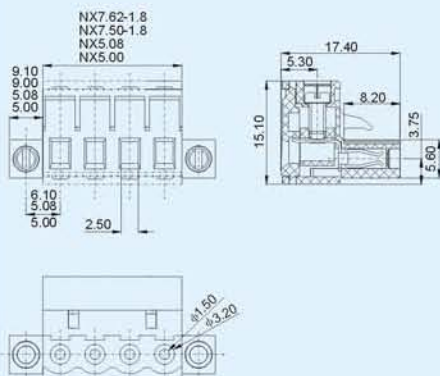
额定电压 : 300V  
额定电流 : 15A  
接触电阻 : 20mΩ  
绝缘电阻 : 5000MΩ/DC1000V  
耐电压 : AC2000V/1Min  
使用线径 : 28-12AWG 2.5mm<sup>2</sup>

• **机械性能**

温度范围 : -40°C~+105°C  
扭矩 : 0.4Nm(3.6lb.in)  
剥线长度 : 7-8mm



**2EDGKM-5.0 2EDGKM-5.08**  
**2EDGKM-7.5 2EDGKM-7.62**



Pitch: 5.0mm, 5.08mm, 7.5mm, 7.62mm  
Poles: 2P~22P

• **Material**

Screws : M2.5 steel Zinc plated  
Contact : Phosphor bronze  
Housing : PA66, UL94V-0

• **Electrical**

Rated voltage : 300V  
Rated current : 15A  
Contact resistance : 20mΩ  
Insulation resistance: 5000MΩ/DC1000V  
Withstanding voltage: AC2000V/1Min  
Wire range : 28-12AWG 2.5mm<sup>2</sup>

• **Mechanical**

Temp. Range : -40°C~+105°C  
Torque : 0.4Nm(3.6lb.in)  
Strip length : 7-8mm

• **材质及电镀**

螺丝 : M2.5, 钢, 镀锌  
触点材料: 磷青铜  
塑件 : PA66, UL94V-0

• **电气性能**

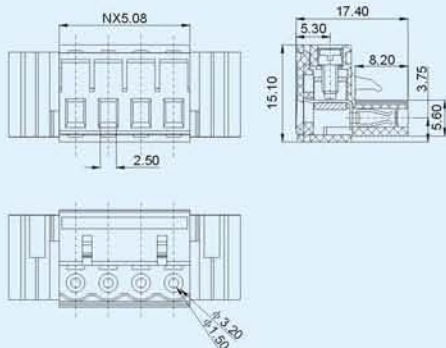
额定电压 : 300V  
额定电流 : 15A  
接触电阻 : 20mΩ  
绝缘电阻 : 5000MΩ/DC1000V  
耐电压 : AC2000V/1Min  
使用线径 : 28-12AWG 2.5mm<sup>2</sup>

• **机械性能**

温度范围 : -40°C~+105°C  
扭矩 : 0.4Nm(3.6lb.in)  
剥线长度 : 7-8mm



**2EDGKN-5.08**



Pitch: 5.08mm; Poles: 2P~24P

**Material**

Screws : M2.5 steel Zinc plated  
Contact : Phosphor bronze  
Housing : PA66, UL94V-0

**Electrical**

Rated voltage : 300V  
Rated current : 15A  
Contact resistance : 20mΩ  
Insulation resistance: 5000MΩ/DC1000V  
Withstanding voltage: AC2000V/1Min  
Wire range : 28-12AWG 2.5mm<sup>2</sup>

**Mechanical**

Temp. Range : -40°C~+105°C  
Torque : 0.4Nm(3.6lb.in)  
Strip length : 7-8mm

**材质及电镀**

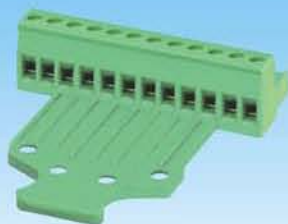
螺丝 : M2.5, 钢, 镀锌  
触点材料: 磷青铜  
塑件 : PA66, UL94V-0

**电气性能**

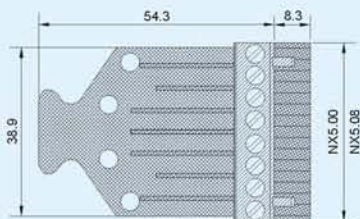
额定电压 : 300V  
额定电流 : 15A  
接触电阻 : 20mΩ  
绝缘电阻 : 5000MΩ/DC1000V  
耐电压 : AC2000V/1Min  
使用线径 : 28-12AWG 2.5mm<sup>2</sup>

**机械性能**

温度范围 : -40°C~+105°C  
扭矩 : 0.4Nm(3.6lb.in)  
剥线长度 : 7-8mm



**2EDGKE-5.0  
2EDGKE-5.08**



Pitch: 5.0mm, 5.08mm; Poles: 2P~24P

**Material**

Screws : M2.5 steel Zinc plated  
Contact : Phosphor bronze  
Housing : PA66, UL94V-0

**Electrical**

Rated voltage : 300V  
Rated current : 15A  
Contact resistance : 20mΩ  
Insulation resistance: 5000MΩ/DC1000V  
Withstanding voltage: AC2000V/1Min  
Wire range : 28-12AWG 2.5mm<sup>2</sup>

**Mechanical**

Temp. Range : -40°C~+105°C  
Torque : 0.4Nm(3.6lb.in)  
Strip length : 7-8mm

**材质及电镀**

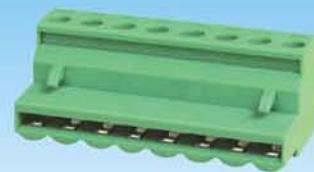
螺丝 : M2.5, 钢, 镀锌  
触点材料: 磷青铜  
塑件 : PA66, UL94V-0

**电气性能**

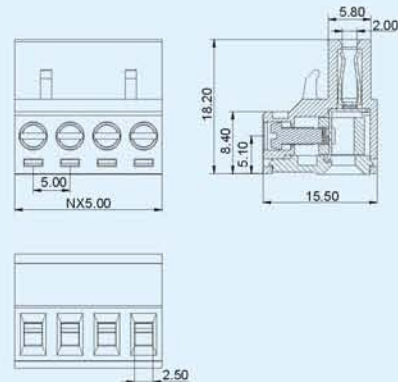
额定电压 : 300V  
额定电流 : 15A  
接触电阻 : 20mΩ  
绝缘电阻 : 5000MΩ/DC1000V  
耐电压 : AC2000V/1Min  
使用线径 : 28-12AWG 2.5mm<sup>2</sup>

**机械性能**

温度范围 : -40°C~+105°C  
扭矩 : 0.4Nm(3.6lb.in)  
剥线长度 : 7-8mm



**2EDGP-5.0**



Pitch: 5.0mm; Poles: 2P~10P

**Material**

Screws : M2.5 steel Zinc plated  
Contact : Phosphor bronze  
Housing : PA66, UL94V-0

**Electrical**

Rated voltage : 300V  
Rated current : 15A  
Contact resistance : 20mΩ  
Insulation resistance: 1000MΩ/DC500V  
Withstanding voltage: AC2000V/1Min  
Wire range : 28-12AWG 2.5mm<sup>2</sup>

**Mechanical**

Temp. Range : -40°C~+105°C  
Torque : 0.4Nm(3.6lb.in)  
Strip length : 7-8mm

**材质及电镀**

螺丝 : M2.5, 钢, 镀锌  
触点材料: 磷青铜  
塑件 : PA66, UL94V-0

**电气性能**

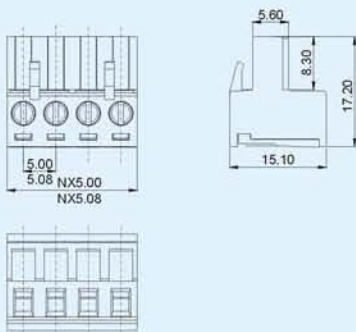
额定电压 : 300V  
额定电流 : 15A  
接触电阻 : 20mΩ  
绝缘电阻 : 1000MΩ/DC500V  
耐电压 : AC2000V/1Min  
使用线径 : 28-12AWG 2.5mm<sup>2</sup>

**机械性能**

温度范围 : -40°C~+105°C  
扭矩 : 0.4Nm(3.5lb.in)  
剥线长度 : 7-8mm



**2EDGKF-5.0**  
**2EDGKF-5.08**



Pitch: 5.0mm, 5.08mm; Poles: 2P~24P

● **Material**

Screws : M2.5 steel Zinc plated  
Contact : Phosphor bronze  
Housing : PA66, UL94V-0

● **Electrical**

Rated voltage : 300V  
Rated current : 15A  
Contact resistance : 20mΩ  
Insulation resistance : 5000MΩ / DC1000V  
Withstanding voltage: AC2000V/1Min  
Wire range : 28-12AWG 2.5mm<sup>2</sup>

● **Mechanical**

Temp. Range : -40°C~+105°C  
Torque : 0.4Nm (3.6lb.in)  
Strip length : 7-8mm

● **材质及电镀**

螺丝 : M2.5, 钢, 镀锌  
触点材料: 磷青铜  
塑件 : PA66, UL94V-0

● **电气性能**

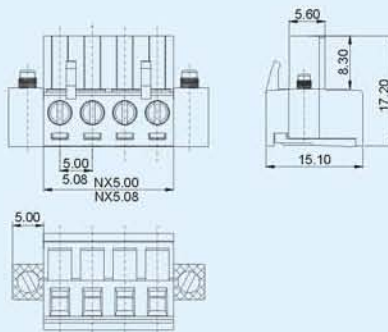
额定电压: 300V  
额定电流: 15A  
接触电阻: 20mΩ  
绝缘电阻: 5000MΩ / DC1000V  
耐电压 : AC2000V / 1Min  
使用线径: 28-12AWG 2.5mm<sup>2</sup>

● **机械性能**

温度范围: -40°C~+105°C  
扭矩 : 0.4Nm (3.6lb.in)  
剥线长度: 7-8mm



**2EDGKFM-5.0**  
**2EDGKFM-5.08**



Pitch: 5.0mm, 5.08mm; Poles: 2P~22P

● **Material**

Screws : M2.5 steel Zinc plated  
Contact : Phosphor bronze  
Housing : PA66, UL94V-0

● **Electrical**

Rated voltage : 300V  
Rated current : 15A  
Contact resistance : 20mΩ  
Insulation resistance : 5000MΩ / DC1000V  
Withstanding voltage: AC2000V/1Min  
Wire range : 28-12AWG 2.5mm<sup>2</sup>

● **Mechanical**

Temp. Range : -40°C~+105°C  
Torque : 0.4Nm (3.6lb.in)  
Strip length : 7-8mm

● **材质及电镀**

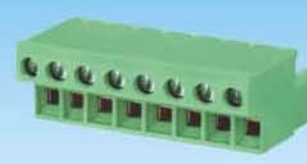
螺丝 : M2.5, 钢, 镀锌  
触点材料: 磷青铜  
塑件 : PA66, UL94V-0

● **电气性能**

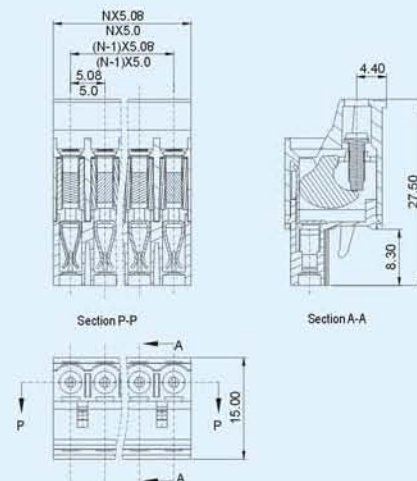
额定电压: 300V  
额定电流: 15A  
接触电阻: 20mΩ  
绝缘电阻: 5000MΩ / DC1000V  
耐电压 : AC2000V / 1Min  
使用线径: 28-12AWG 2.5mm<sup>2</sup>

● **机械性能**

温度范围: -40°C~+105°C  
扭矩 : 0.4Nm (3.6lb.in)  
剥线长度: 7-8mm



**2EDGKC-5.0**  
**2EDGKC-5.08 2EDGKC-7.62**



Pitch: 5.0mm, 5.08mm, 7.62mm; Poles: 2P~24P

● **Material**

Screws : M2.5 steel Zinc plated  
Contact : Phosphor bronze  
Housing : PA66, UL94V-0

● **Electrical**

Rated voltage : 300V  
Rated current : 15A  
Contact resistance : 20mΩ  
Insulation resistance : 5000MΩ / DC1000V  
Withstanding voltage: AC2000V/1Min  
Wire range : 28-12AWG 2.5mm<sup>2</sup>

● **Mechanical**

Temp. Range : -40°C~+105°C  
Torque : 0.4Nm (3.6lb.in)  
Strip length : 7-8mm

● **材质及电镀**

螺丝 : M2.5, 钢, 镀锌  
触点材料: 磷青铜  
塑件 : PA66, UL94V-0

● **电气性能**

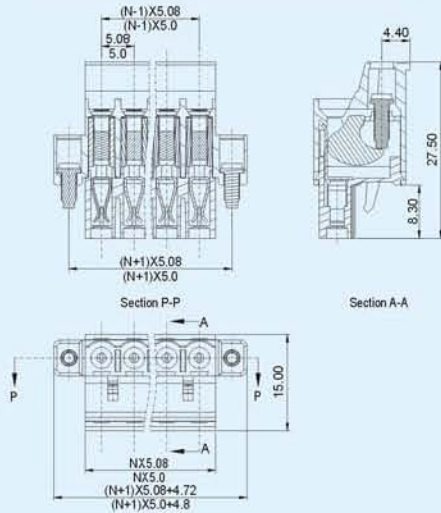
额定电压: 300V  
额定电流: 15A  
接触电阻: 20mΩ  
绝缘电阻: 5000MΩ / DC1000V  
耐电压 : AC2000V / 1Min  
使用线径: 28-12AWG 2.5mm<sup>2</sup>

● **机械性能**

温度范围: -40°C~+105°C  
扭矩 : 0.4Nm (3.6lb.in)  
剥线长度: 7-8mm



**2EDGKCM-5.0**  
**2EDGKCM-5.08**  
**2EDGKCM-7.62**



Pitch: 5.0mm, 5.08mm, 7.62mm; Poles: 2P~20P

**Material**

Screws : M2.5 steel Zinc plated  
Contact : Phosphor bronze  
Housing : PA66, UL94V-0

**Electrical**

Rated voltage : 300V  
Rated current : 15A  
Contact resistance : 20mΩ  
Insulation resistance : 5000MΩ / DC1000V  
Withstanding voltage: AC2000V/1Min  
Wire range : 28-12AWG 2.5mm<sup>2</sup>

**Mechanical**

Temp. Range : -40°C~+105°C  
Torque : 0.4Nm(3.6lb.in)  
Strip length : 7-8mm

**材质及电镀**

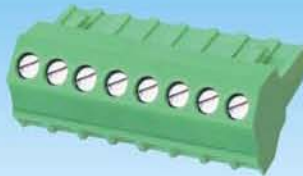
螺丝 : M2.5, 钢, 镀锌  
触点材料: 磷青铜  
塑件 : PA66, UL94V-0

**电气性能**

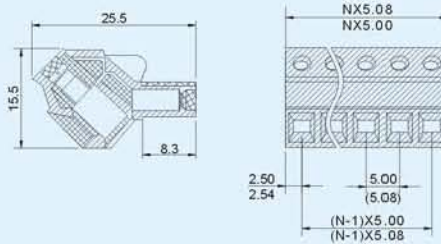
额定电压: 300V  
额定电流: 15A  
接触电阻: 20mΩ  
绝缘电阻: 5000MΩ / DC1000V  
耐电压 : AC2000V / 1Min  
使用线径: 28-12AWG 2.5mm<sup>2</sup>

**机械性能**

温度范围: -40°C~+105°C  
扭矩 : 0.4Nm(3.6lb.in)  
剥线长度: 7-8mm



**2EDGKG-5.0**  
**2EDGKG-5.08**



Pitch: 5.0mm, 5.08mm; Poles: 2P~24P

**Material**

Screws : M2.5 steel Zinc plated  
Contact : Phosphor bronze  
Housing : PA66, UL94V-0

**Electrical**

Rated voltage : 300V  
Rated current : 15A  
Contact resistance : 20mΩ  
Insulation resistance : 5000MΩ / DC1000V  
Withstanding voltage: AC2000V/1Min  
Wire range : 28-12AWG 2.5mm<sup>2</sup>

**Mechanical**

Temp. Range : -40°C~+105°C  
Torque : 0.4Nm(3.6lb.in)  
Strip length : 7-8mm

**材质及电镀**

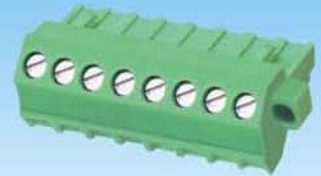
螺丝 : M2.5, 钢, 镀锌  
触点材料: 磷青铜  
塑件 : PA66, UL94V-0

**电气性能**

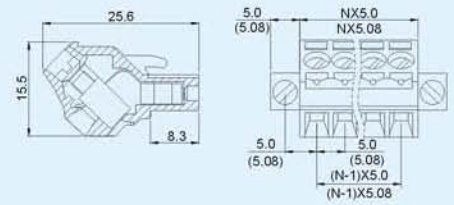
额定电压: 300V  
额定电流: 15A  
接触电阻: 20mΩ  
绝缘电阻: 5000MΩ / DC1000V  
耐电压 : AC2000V / 1Min  
使用线径: 28-12AWG 2.5mm<sup>2</sup>

**机械性能**

温度范围: -40°C~+105°C  
扭矩 : 0.4Nm(3.6lb.in)  
剥线长度: 7-8mm



**2EDGKGM-5.0**  
**2EDGKGM-5.08**



Pitch: 5.0mm, 5.08mm; Poles: 2P~22P

**Material**

Screws : M2.5 steel Zinc plated  
Contact : Phosphor bronze  
Housing : PA66, UL94V-0

**Electrical**

Rated voltage : 300V  
Rated current : 15A  
Contact resistance : 20mΩ  
Insulation resistance : 5000MΩ / DC1000V  
Withstanding voltage: AC2000V/1Min  
Wire range : 28-12AWG 2.5mm<sup>2</sup>

**Mechanical**

Temp. Range : -40°C~+105°C  
Torque : 0.4Nm(3.6lb.in)  
Strip length : 7-8mm

**材质及电镀**

螺丝 : M2.5, 钢, 镀锌  
触点材料: 磷青铜  
塑件 : PA66, UL94V-0

**电气性能**

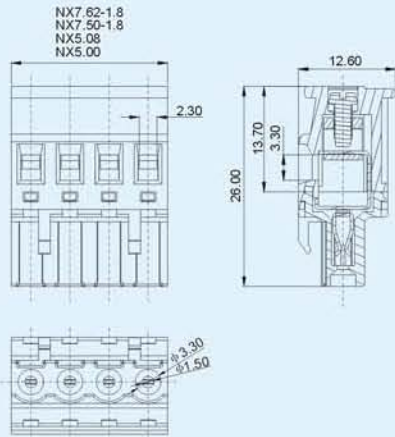
额定电压: 300V  
额定电流: 15A  
接触电阻: 20mΩ  
绝缘电阻: 5000MΩ / DC1000V  
耐电压 : AC2000V / 1Min  
使用线径: 28-12AWG 2.5mm<sup>2</sup>

**机械性能**

温度范围: -40°C~+105°C  
扭矩 : 0.4Nm(3.6lb.in)  
剥线长度: 7-8mm



**2EDGKA-5.0 2EDGKA-5.08**  
**2EDGKA-7.5 2EDGKA-7.62**



Pitch: 5.0mm, 5.08mm, 7.5mm, 7.62mm  
Poles: 2P~24P

**Material**

Screws : M2.5 steel Zinc plated  
Contact : Phosphor bronze  
Housing : PA66, UL94V-0

**Electrical**

Rated voltage : 300V  
Rated current : 15A  
Contact resistance : 20mΩ  
Insulation resistance: 5000MΩ/DC1000V  
Withstanding voltage: AC2000V/1Min  
Wire range : 28-12AWG 2.5mm<sup>2</sup>

**Mechanical**

Temp.Range : -40°C~+105°C  
Torque : 0.4Nm(3.6lb.in)  
Strip length : 7-8mm

**材质及电镀**

螺丝 : M2.5, 钢, 镀锌  
触点材料: 磷青铜  
塑件 : PA66, UL94V-0

**电气性能**

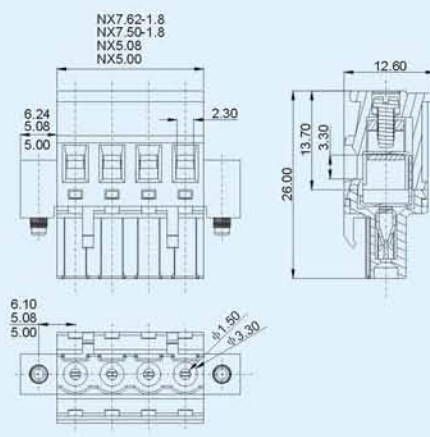
额定电压 : 300V  
额定电流 : 15A  
接触电阻 : 20mΩ  
绝缘电阻 : 5000MΩ/DC1000V  
耐电压 : AC2000V/1Min  
使用线径 : 28-12AWG 2.5mm<sup>2</sup>

**机械性能**

温度范围 : -40°C~+105°C  
扭矩 : 0.4Nm(3.6lb.in)  
剥线长度 : 7-8mm



**2EDGKAM-5.0 2EDGKAM-5.08**  
**2EDGKAM-7.5 2EDGKAM-7.62**



Pitch: 5.0mm, 5.08mm, 7.5mm, 7.62mm  
Poles: 2P~22P

**Material**

Screws : M2.5 steel Zinc plated  
Contact : Phosphor bronze  
Housing : PA66, UL94V-0

**Electrical**

Rated voltage : 300V  
Rated current : 15A  
Contact resistance : 20mΩ  
Insulation resistance: 5000MΩ/DC1000V  
Withstanding voltage: AC2000V/1Min  
Wire range : 28-12AWG 2.5mm<sup>2</sup>

**Mechanical**

Temp.Range : -40°C~+105°C  
Torque : 0.4Nm(3.6lb.in)  
Strip length : 7-8mm

**材质及电镀**

螺丝 : M2.5, 钢, 镀锌  
触点材料: 磷青铜  
塑件 : PA66, UL94V-0

**电气性能**

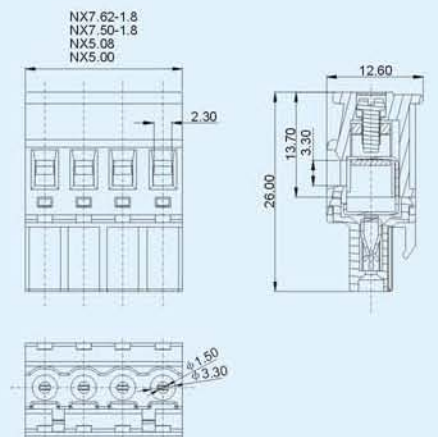
额定电压 : 300V  
额定电流 : 15A  
接触电阻 : 20mΩ  
绝缘电阻 : 5000MΩ/DC1000V  
耐电压 : AC2000V/1Min  
使用线径 : 28-12AWG 2.5mm<sup>2</sup>

**机械性能**

温度范围 : -40°C~+105°C  
扭矩 : 0.4Nm(3.6lb.in)  
剥线长度 : 7-8mm



**2EDGKB-5.0 2EDGKB-5.08**  
**2EDGKB-7.5 2EDGKB-7.62**



Pitch: 5.0mm, 5.08mm, 7.5mm, 7.62mm  
Poles: 2P~24P

**Material**

Screws : M2.5 steel Zinc plated  
Contact : Phosphor bronze  
Housing : PA66, UL94V-0

**Electrical**

Rated voltage : 300V  
Rated current : 15A  
Contact resistance : 20mΩ  
Insulation resistance: 5000MΩ/DC1000V  
Withstanding voltage: AC2000V/1Min  
Wire range : 28-12AWG 2.5mm<sup>2</sup>

**Mechanical**

Temp.Range : -40°C~+105°C  
Torque : 0.4Nm(3.6lb.in)  
Strip length : 7-8mm

**材质及电镀**

螺丝 : M2.5, 钢, 镀锌  
触点材料: 磷青铜  
塑件 : PA66, UL94V-0

**电气性能**

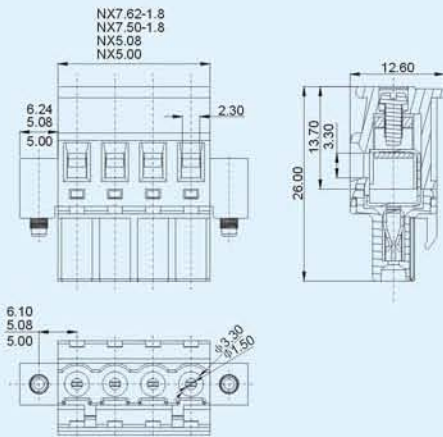
额定电压 : 300V  
额定电流 : 15A  
接触电阻 : 20mΩ  
绝缘电阻 : 5000MΩ/DC1000V  
耐电压 : AC2000V/1Min  
使用线径 : 28-12AWG 2.5mm<sup>2</sup>

**机械性能**

温度范围 : -40°C~+105°C  
扭矩 : 0.4Nm(3.6lb.in)  
剥线长度 : 7-8mm



**2EDGKBM-5.0 2EDGKBM-5.08**  
**2EDGKBM-7.5 2EDGKBM-7.62**



Pitch: 5.0mm, 5.08mm, 7.5mm, 7.62mm  
Poles: 2P~22P

**Material**

Screws : M2.5 steel Zinc plated  
Contact : Phosphor bronze  
Housing : PA66, UL94V-0

**Electrical**

Rated voltage : 300V  
Rated current : 15A  
Contact resistance : 20mΩ  
Insulation resistance : 5000MΩ / DC1000V  
Withstanding voltage: AC2000V/1Min  
Wire range : 28-12AWG 2.5mm<sup>2</sup>

**Mechanical**

Temp. Range : -40°C~+105°C  
Torque : 0.4Nm(3.6lb.in)  
Strip length : 7-8mm

**材质及电镀**

螺丝 : M2.5, 钢, 镀锌  
触点材料: 磷青铜  
塑件 : PA66, UL94V-0

**电气性能**

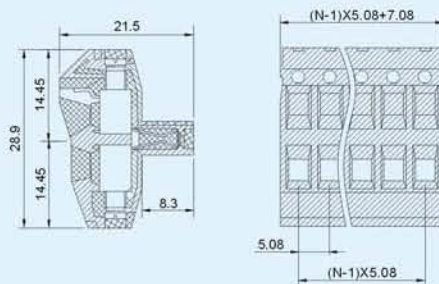
额定电压 : 300V  
额定电流 : 15A  
接触电阻 : 20mΩ  
绝缘电阻 : 5000MΩ / DC1000V  
耐电压 : AC2000V / Min  
使用线径 : 28-12AWG 2.5mm<sup>2</sup>

**机械性能**

温度范围 : -40°C~+105°C  
扭矩 : 0.4Nm(3.6lb.in)  
剥线长度 : 7-8mm



**2EDGKH-5.08**



Pitch: 5.08mm; Poles: 2\*(2P~24P)

**Material**

Screws : M2.5 steel Zinc plated  
Contact : Phosphor bronze  
Housing : PA66, UL94V-0

**Electrical**

Rated voltage : 300V  
Rated current : 15A  
Contact resistance : 20mΩ  
Insulation resistance : 5000MΩ / DC1000V  
Withstanding voltage: AC2000V/1Min  
Wire range : 28-12AWG 2.5mm<sup>2</sup>

**Mechanical**

Temp. Range : -40°C~+105°C  
Torque : 0.4Nm(3.6lb.in)  
Strip length : 7-8mm

**材质及电镀**

螺丝 : M2.5, 钢, 镀锌  
触点材料: 磷青铜  
塑件 : PA66, UL94V-0

**电气性能**

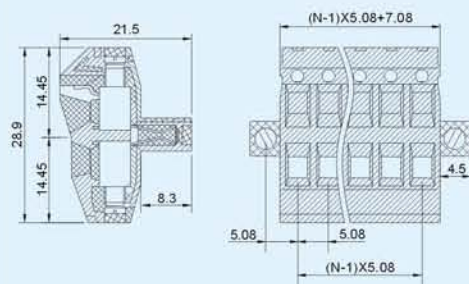
额定电压 : 300V  
额定电流 : 15A  
接触电阻 : 20mΩ  
绝缘电阻 : 5000MΩ / DC1000V  
耐电压 : AC2000V / Min  
使用线径 : 28-12AWG 2.5mm<sup>2</sup>

**机械性能**

温度范围 : -40°C~+105°C  
扭矩 : 0.4Nm(3.6lb.in)  
剥线长度 : 7-8mm



**2EDGKHM-5.08**



Pitch: 5.08mm; Poles: 2\*(2P~22P)

**Material**

Screws : M2.5 steel Zinc plated  
Contact : Phosphor bronze  
Housing : PA66, UL94V-0

**Electrical**

Rated voltage : 300V  
Rated current : 15A  
Contact resistance : 20mΩ  
Insulation resistance : 5000MΩ / DC1000V  
Withstanding voltage: AC2000V/1Min  
Wire range : 28-12AWG 2.5mm<sup>2</sup>

**Mechanical**

Temp. Range : -40°C~+105°C  
Torque : 0.4Nm(3.6lb.in)  
Strip length : 7-8mm

**材质及电镀**

螺丝 : M2.5, 钢, 镀锌  
触点材料: 磷青铜  
塑件 : PA66, UL94V-0

**电气性能**

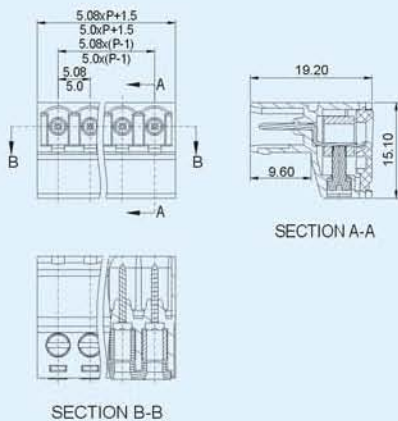
额定电压 : 300V  
额定电流 : 15A  
接触电阻 : 20mΩ  
绝缘电阻 : 5000MΩ / DC1000V  
耐电压 : AC2000V / Min  
使用线径 : 28-12AWG 2.5mm<sup>2</sup>

**机械性能**

温度范围 : -40°C~+105°C  
扭矩 : 0.4Nm(3.6lb.in)  
剥线长度 : 7-8mm



**2EDGKR-5.08**  
**2EDGKR-7.62**



Pitch: 5.08mm, 7.62mm; Poles: 2P~24P

● **Material**

Screws : M2.5 steel Zinc plated  
Contact : Phosphor bronze  
Housing : PA66, UL94V-0

● **Electrical**

Rated voltage : 300V  
Rated current : 15A  
Contact resistance : 20mΩ  
Insulation resistance : 5000MΩ / DC1000V  
Withstanding voltage: AC2000V/1Min  
Wire range : 28-12AWG 2.5mm<sup>2</sup>

● **Mechanical**

Temp. Range : -40°C~+105°C  
Torque : 0.4Nm(3.6lb.in)  
Strip length : 7-8mm

● **材质及电镀**

螺丝 : M2.5, 钢, 镀锌  
触点材料: 磷青铜  
塑件 : PA66, UL94V-0

● **电气性能**

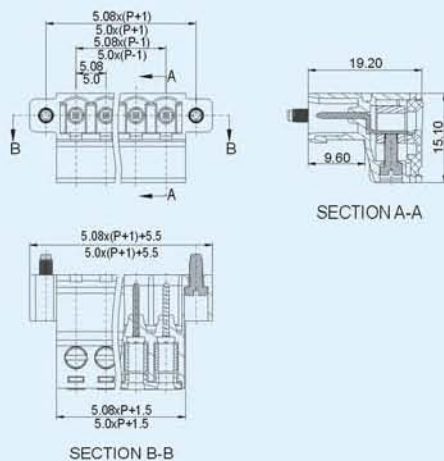
额定电压 : 300V  
额定电流 : 15A  
接触电阻 : 20mΩ  
绝缘电阻 : 5000MΩ / DC1000V  
耐电压 : AC2000V / Min  
使用线径 : 28-12AWG 2.5mm<sup>2</sup>

● **机械性能**

温度范围 : -40°C~+105°C  
扭矩 : 0.4Nm(3.6lb.in)  
剥线长度 : 7-8mm



**2EDGKRM-5.08**  
**2EDGKRM-7.62**



Pitch: 5.08mm, 7.62mm; Poles: 2P~22P

● **Material**

Screws : M2.5 steel Zinc plated  
Contact : Phosphor bronze  
Housing : PA66, UL94V-0

● **Electrical**

Rated voltage : 300V  
Rated current : 15A  
Contact resistance : 20mΩ  
Insulation resistance : 5000MΩ / DC1000V  
Withstanding voltage: AC2000V/1Min  
Wire range : 28-12AWG 2.5mm<sup>2</sup>

● **Mechanical**

Temp. Range : -40°C~+105°C  
Torque : 0.4Nm(3.6lb.in)  
Strip length : 7-8mm

● **材质及电镀**

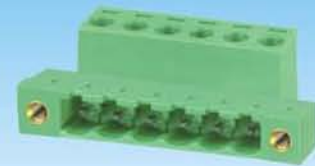
螺丝 : M2.5, 钢, 镀锌  
触点材料: 磷青铜  
塑件 : PA66, UL94V-0

● **电气性能**

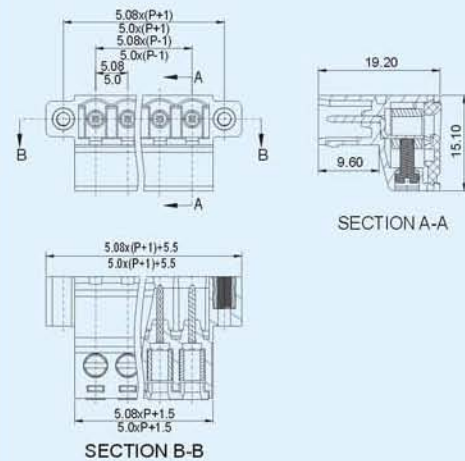
额定电压 : 300V  
额定电流 : 15A  
接触电阻 : 20mΩ  
绝缘电阻 : 5000MΩ / DC1000V  
耐电压 : AC2000V / Min  
使用线径 : 28-12AWG 2.5mm<sup>2</sup>

● **机械性能**

温度范围 : -40°C~+105°C  
扭矩 : 0.4Nm(3.6lb.in)  
剥线长度 : 7-8mm



**2EDGKRP-5.08**  
**2EDGKRP-7.62**



Pitch: 5.08mm, 7.62mm; Poles: 2P~22P

● **Material**

Screws : M2.5 steel Zinc plated  
Contact : Phosphor bronze  
Housing : PA66, UL94V-0

● **Electrical**

Rated voltage : 300V  
Rated current : 15A  
Contact resistance : 20mΩ  
Insulation resistance : 5000MΩ / DC1000V  
Withstanding voltage: AC2000V/1Min  
Wire range : 28-12AWG 2.5mm<sup>2</sup>

● **Mechanical**

Temp. Range : -40°C~+105°C  
Torque : 0.4Nm(3.6lb.in)  
Strip length : 7-8mm

● **材质及电镀**

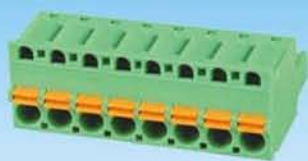
螺丝 : M2.5, 钢, 镀锌  
触点材料: 磷青铜  
塑件 : PA66, UL94V-0

● **电气性能**

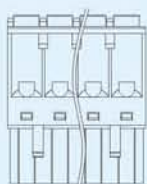
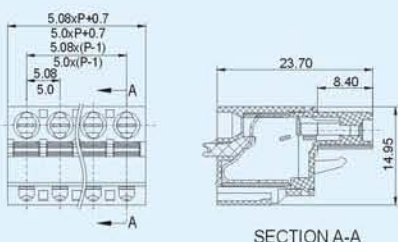
额定电压 : 300V  
额定电流 : 15A  
接触电阻 : 20mΩ  
绝缘电阻 : 5000MΩ / DC1000V  
耐电压 : AC2000V / Min  
使用线径 : 28-12AWG 2.5mm<sup>2</sup>

● **机械性能**

温度范围 : -40°C~+105°C  
扭矩 : 0.4Nm(3.6lb.in)  
剥线长度 : 7-8mm



**2EDGKD-5.0 2EDGKD-5.08**  
**2EDGKD-7.5 2EDGKD-7.62**



Pitch: 5.0mm, 5.08mm, 7.5mm, 7.62mm  
Poles: 2P~24P

**Material**

Contact : Phospor Bronze  
Housing : PA66,UL94V-0

**Electrical**

Rated voltage : 300V  
Rated current : 10A  
Contact resistance : 20mΩ  
Insulation resistance : 5000MΩ/DC1000V  
Withstanding voltage: AC2000V/1Min  
Wire range : 26-12AWG 2.5mm<sup>2</sup>

**Mechanical**

Temp.Range : -40°C~+105°C  
Strip length : 10-11mm

**材质及电镀**

触点材料: 磷青铜  
塑件 : PA66, UL94V-0

**电气性能**

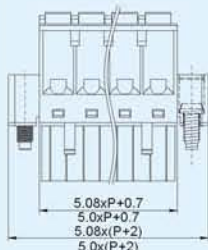
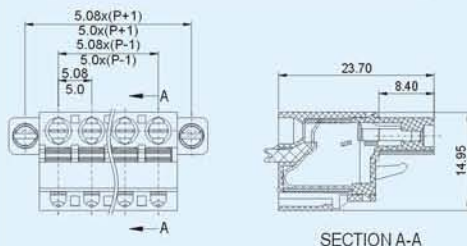
额定电压: 300V  
额定电流: 10A  
接触电阻: 20mΩ  
绝缘电阻: 5000MΩ/DC1000V  
耐电压 : AC2000V/1Min  
使用线径: 26-12AWG 2.5mm<sup>2</sup>

**机械性能**

温度范围: -40°C~+105°C  
剥线长度: 10-11mm



**2EDGKDM-5.0 2EDGKDM-5.08**  
**2EDGKDM-7.5 2EDGKDM-7.62**



Pitch: 5.0mm, 5.08mm, 7.5mm, 7.62mm  
Poles: 2P~22P

**Material**

Contact : Phospor Bronze  
Housing : PA66,UL94V-0

**Electrical**

Rated voltage : 300V  
Rated current : 10A  
Contact resistance : 20mΩ  
Insulation resistance : 5000MΩ/DC1000V  
Withstanding voltage: AC2000V/1Min  
Wire range : 26-12AWG 2.5mm<sup>2</sup>

**Mechanical**

Temp.Range : -40°C~+105°C  
Strip length : 10-11mm

**材质及电镀**

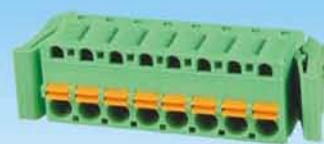
触点材料: 磷青铜  
塑件 : PA66, UL94V-0

**电气性能**

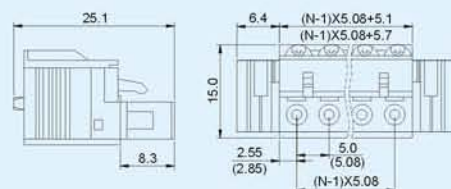
额定电压: 300V  
额定电流: 10A  
接触电阻: 20mΩ  
绝缘电阻: 5000MΩ/DC1000V  
耐电压 : AC2000V/1Min  
使用线径: 26-12AWG 2.5mm<sup>2</sup>

**机械性能**

温度范围: -40°C~+105°C  
剥线长度: 10-11mm



**2EDGKDG-5.08**



Pitch: 5.08mm; Poles: 2P~24P

**Material**

Contact : Phospor Bronze  
Housing : PA66,UL94V-0

**Electrical**

Rated voltage : 300V  
Rated current : 10A  
Contact resistance : 20mΩ  
Insulation resistance : 5000MΩ/DC1000V  
Withstanding voltage: AC2000V/1Min  
Wire range : 26-12AWG 2.5mm<sup>2</sup>

**Mechanical**

Temp.Range : -40°C~+105°C  
Strip length : 10-11mm

**材质及电镀**

触点材料: 磷青铜  
塑件 : PA66, UL94V-0

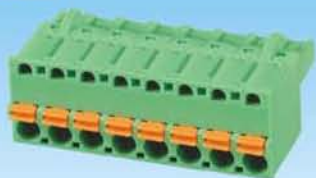
**电气性能**

额定电压: 300V  
额定电流: 10A  
接触电阻: 20mΩ  
绝缘电阻: 5000MΩ/DC1000V  
耐电压 : AC2000V/1Min  
使用线径: 26-12AWG 2.5mm<sup>2</sup>

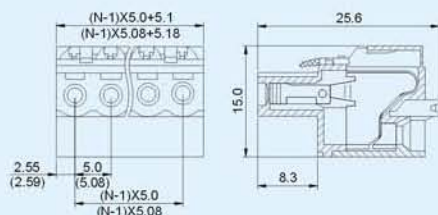
**机械性能**

温度范围: -40°C~+105°C  
剥线长度: 10-11mm





**2EDGKDF-5.0**  
**2EDGKDF-5.08**



Pitch: 5.0mm, 5.08mm; Poles: 2P~24P

● **Material**

Contact : Phosphor Bronze  
Housing : PA66, UL94V-0

● **Electrical**

Rated voltage : 300V  
Rated current : 10A  
Contact resistance : 20mΩ  
Insulation resistance : 5000MΩ / DC1000V  
Withstanding voltage: AC2000V/1Min  
Wire range : 26-12AWG 2.5mm<sup>2</sup>

● **Mechanical**

Temp. Range : -40°C~+105°C  
Strip length : 10-11mm

● **材质及电镀**

触点材料: 磷青铜  
塑件 : PA66, UL94V-0

● **电气性能**

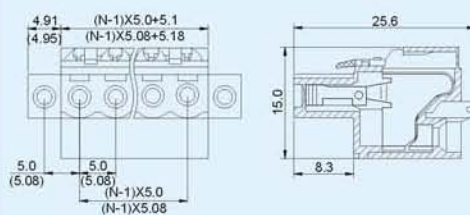
额定电压: 300V  
额定电流: 10A  
接触电阻: 20mΩ  
绝缘电阻: 5000MΩ / DC1000V  
耐电压 : AC2000V/1Min  
使用线径: 26-12AWG 2.5mm<sup>2</sup>

● **机械性能**

温度范围: -40°C~+105°C  
剥线长度: 10-11mm



**2EDGKDFM-5.0**  
**2EDGKDFM-5.08**



Pitch: 5.0mm, 5.08mm; Poles: 2P~22P

● **Material**

Contact : Phosphor Bronze  
Housing : PA66, UL94V-0

● **Electrical**

Rated voltage : 300V  
Rated current : 10A  
Contact resistance : 20mΩ  
Insulation resistance : 5000MΩ / DC1000V  
Withstanding voltage: AC2000V/1Min  
Wire range : 26-12AWG 2.5mm<sup>2</sup>

● **Mechanical**

Temp. Range : -40°C~+105°C  
Strip length : 10-11mm

● **材质及电镀**

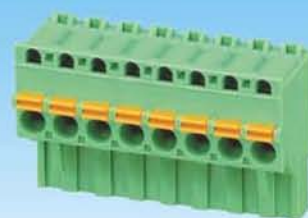
触点材料: 磷青铜  
塑件 : PA66, UL94V-0

● **电气性能**

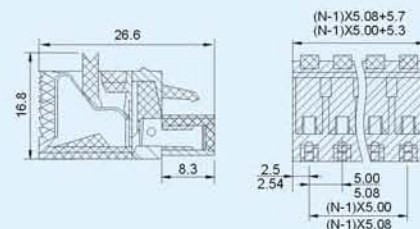
额定电压: 300V  
额定电流: 10A  
接触电阻: 20mΩ  
绝缘电阻: 5000MΩ / DC1000V  
耐电压 : AC2000V/1Min  
使用线径: 26-12AWG 2.5mm<sup>2</sup>

● **机械性能**

温度范围: -40°C~+105°C  
剥线长度: 10-11mm



**2EDGKDA-5.0**  
**2EDGKDA-5.08**



Pitch: 5.0mm, 5.08mm; Poles: 2P~24P

● **Material**

Contact : Phosphor bronze  
Housing : PA66, UL94V-0

● **Electrical**

Rated voltage : 300V  
Rated current : 10A  
Contact resistance : 20mΩ  
Insulation resistance : 5000MΩ / DC1000V  
Withstanding voltage: AC2000V/1Min  
Wire range : 26-12AWG 2.5mm<sup>2</sup>

● **Mechanical**

Temp. Range : -40°C~+105°C  
Strip length : 10-11mm

● **材质及电镀**

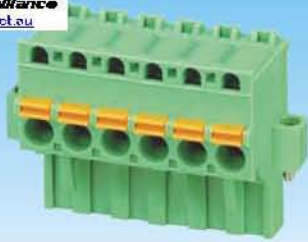
触点材料: 磷青铜  
塑件 : PA66, UL94V-0

● **电气性能**

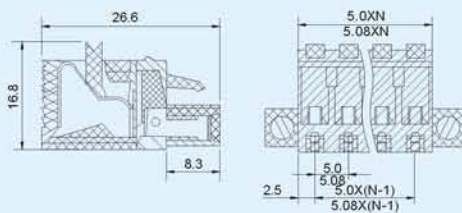
额定电压: 300V  
额定电流: 10A  
接触电阻: 20mΩ  
绝缘电阻: 5000MΩ / DC1000V  
耐电压 : AC2000V/1Min  
使用线径: 26-12AWG 2.5mm<sup>2</sup>

● **机械性能**

温度范围: -40°C~+105°C  
剥线长度: 10-11mm



**2EDGKDAM-5.0**  
**2EDGKDAM-5.08**



Pitch: 5.0mm, 5.08mm; Poles: 2P~22P

● **Material**

Contact : Phosphor Bronze  
Housing : PA66, UL94V-0  
Screws : M2.5

● **Electrical**

Rated voltage : 300V  
Rated current : 10A  
Contact resistance : 20mΩ  
Insulation resistance : 5000MΩ/DC1000V  
Withstanding voltage: AC2000V/1Min  
Wire range : 26-12AWG 2.5mm<sup>2</sup>

● **Mechanical**

Temp. Range : -40°C~+105°C  
Strip length : 10-11mm

● **材质及电镀**

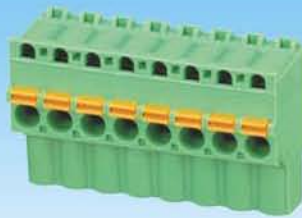
触点材料: 磷青铜  
塑件 : PA66, UL94V-0  
螺丝 : M2.5

● **电气性能**

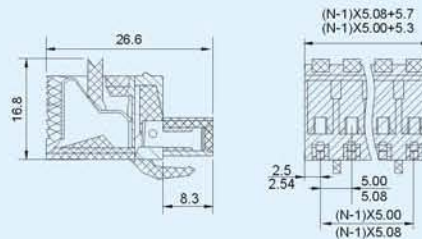
额定电压: 300V  
额定电流: 10A  
接触电阻: 20mΩ  
绝缘电阻: 5000MΩ/DC1000V  
耐电压 : AC2000V/1Min  
使用线径: 26-12AWG 2.5mm<sup>2</sup>

● **机械性能**

温度范围: -40°C~+105°C  
剥线长度: 10-11mm



**2EDGKDB-5.0**  
**2EDGKDB-5.08**



Pitch: 5.0mm, 5.08mm; Poles: 2P~24P

● **Material**

Contact : Phosphor Bronze  
Housing : PA66, UL94V-0

● **Electrical**

Rated voltage : 300V  
Rated current : 10A  
Contact resistance : 20mΩ  
Insulation resistance : 5000MΩ/DC1000V  
Withstanding voltage: AC2000V/1Min  
Wire range : 26-12AWG 2.5mm<sup>2</sup>

● **Mechanical**

Temp. Range : -40°C~+105°C  
Strip length : 10-11mm

● **材质及电镀**

触点材料: 磷青铜  
塑件 : PA66, UL94V-0

● **电气性能**

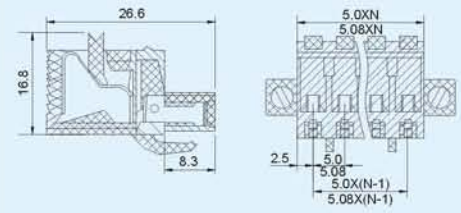
额定电压: 300V  
额定电流: 10A  
接触电阻: 20mΩ  
绝缘电阻: 5000MΩ/DC1000V  
耐电压 : AC2000V/1Min  
使用线径: 26-12AWG 2.5mm<sup>2</sup>

● **机械性能**

温度范围: -40°C~+105°C  
剥线长度: 10-11mm



**2EDGKDBM-5.0**  
**2EDGKDBM-5.08**



Pitch: 5.0mm, 5.08mm; Poles: 2P~22P

● **Material**

Contact : Phosphor Bronze  
Housing : PA66, UL94V-0  
Screws : M2.5

● **Electrical**

Rated voltage : 300V  
Rated current : 10A  
Contact resistance : 20mΩ  
Insulation resistance : 5000MΩ/DC1000V  
Withstanding voltage: AC2000V/1Min  
Wire range : 26-12AWG 2.5mm<sup>2</sup>

● **Mechanical**

Temp. Range : -40°C~+105°C  
Strip length : 10-11mm

● **材质及电镀**

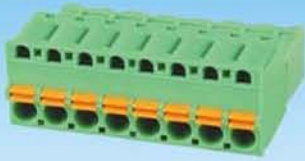
触点材料: 磷青铜  
塑件 : PA66, UL94V-0  
螺丝 : M2.5

● **电气性能**

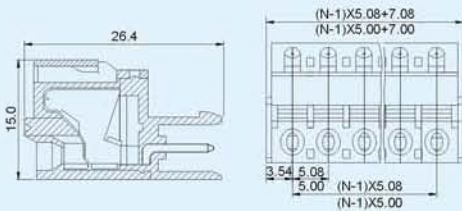
额定电压: 300V  
额定电流: 10A  
接触电阻: 20mΩ  
绝缘电阻: 5000MΩ/DC1000V  
耐电压 : AC2000V/1Min  
使用线径: 26-12AWG 2.5mm<sup>2</sup>

● **机械性能**

温度范围: -40°C~+105°C  
剥线长度: 10-11mm



**2EDGKDR-5.0**  
**2EDGKDR-5.08**



Pitch: 5.0mm, 5.08mm; Poles: 2P~24P

● **Material**

Contact : Phosphor Bronze  
Housing : PA66, UL94V-0

● **Electrical**

Rated voltage : 300V  
Rated current : 10A  
Contact resistance : 20m $\Omega$   
Insulation resistance : 5000M $\Omega$ /DC1000V  
Withstanding voltage: AC2000V/1Min  
Wire range : 26-12AWG 2.5mm<sup>2</sup>

● **Mechanical**

Temp. Range : -40°C~+105°C  
Strip length : 10-11mm

● **材质及电镀**

触点材料: 磷青铜  
塑件 : PA66, UL94V-0

● **电气性能**

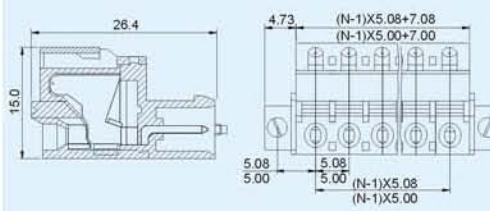
额定电压: 300V  
额定电流: 10A  
接触电阻: 20m $\Omega$   
绝缘电阻: 5000M $\Omega$ /DC1000V  
耐电压 : AC2000V/1Min  
使用线径: 26-12AWG 2.5mm<sup>2</sup>

● **机械性能**

温度范围: -40°C~+105°C  
剥线长度: 10-11mm



**2EDGKDRM-5.0**  
**2EDGKDRM-5.08**



Pitch: 5.0mm, 5.08mm; Poles: 2P~22P

● **Material**

Contact : Phosphor Bronze  
Housing : PA66, UL94V-0  
Screws : M2.5

● **Electrical**

Rated voltage : 300V  
Rated current : 10A  
Contact resistance : 20m $\Omega$   
Insulation resistance : 5000M $\Omega$ /DC1000V  
Withstanding voltage: AC2000V/1Min  
Wire range : 26-12AWG 2.5mm<sup>2</sup>

● **Mechanical**

Temp. Range : -40°C~+105°C  
Strip length : 10-11mm

● **材质及电镀**

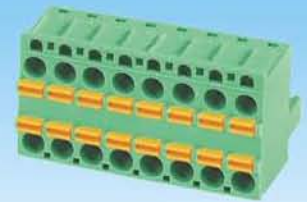
触点材料: 磷青铜  
塑件 : PA66, UL94V-0  
螺丝 : M2.5

● **电气性能**

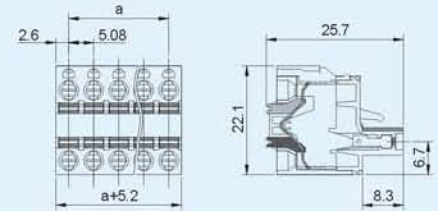
额定电压: 300V  
额定电流: 10A  
接触电阻: 20m $\Omega$   
绝缘电阻: 5000M $\Omega$ /DC1000V  
耐电压 : AC2000V/1Min  
使用线径: 26-12AWG 2.5mm<sup>2</sup>

● **机械性能**

温度范围: -40°C~+105°C  
剥线长度: 10-11mm



**2EDGKDH-5.08**



Pitch: 5.08mm; Poles: 2\*(2P~24P)

● **Material**

Contact : Phosphor Bronze, Tinplated  
Housing : PA66, UL94V-0

● **Electrical**

Rated voltage : 300V  
Rated current : 10A  
Contact resistance : 20m $\Omega$   
Insulation resistance : 5000M $\Omega$ /DC1000V  
Withstanding voltage: AC2000V/1Min  
Wire range : 26-12AWG 2.5mm<sup>2</sup>

● **Mechanical**

Temp. Range : -40°C~+105°C  
Strip length : 7-8mm

● **材质及电镀**

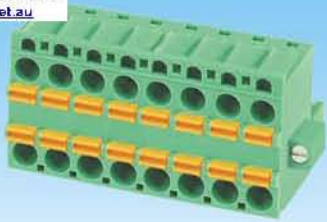
触点材料: 磷青铜, 镀锡  
塑件 : PA66, UL94V-0

● **电气性能**

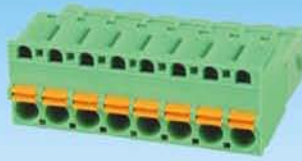
额定电压: 300V  
额定电流: 10A  
接触电阻: 20m $\Omega$   
绝缘电阻: 5000M $\Omega$ /DC1000V  
耐电压 : AC2000V/1Min  
使用线径: 26-12AWG 2.5mm<sup>2</sup>

● **机械性能**

温度范围: -40°C~+105°C  
剥线长度: 7-8mm



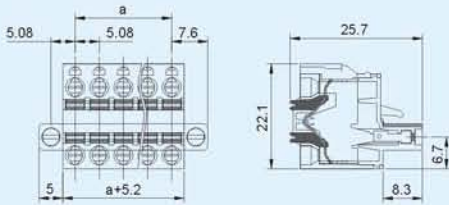
**2EDGKDHM-5.08**



**2EDGKDRN-5.08**



**2EDGR-THT-5.08**



Pitch:5.08mm;Poles:2\*(2P~22P)

● **Material**

Contact : Phosor Bronze, Tinplated  
Housing : PA66,UL94V-0

● **Electrical**

Rated voltage : 300V  
Rated current : 10A  
Contact resistance : 20mΩ  
Insulation resistance : 5000MΩ/DC1000V  
Withstanding voltage: AC2000V/1Min  
Wire range : 26-12AWG 2.5mm<sup>2</sup>

● **Mechanical**

Temp.Range : -40°C~+105°C  
Strip length : 7-8mm

● **材质及电镀**

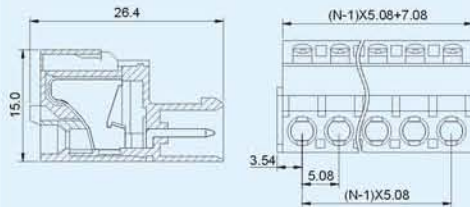
触点材料: 磷青铜, 镀锡  
塑件 : PA66, UL94V-0

● **电气性能**

额定电压: 300V  
额定电流: 10A  
接触电阻: 20mΩ  
绝缘电阻: 5000MΩ/DC1000V  
耐电压 : AC2000V/1Min  
使用线径: 26-12AWG 2.5mm<sup>2</sup>

● **机械性能**

温度范围: -40°C~+105°C  
剥线长度: 7-8mm



Pitch:5.08mm;Poles:2P~24P

● **Material**

Contact : Phosor Bronze  
Housing : PA66,UL94V-0

● **Electrical**

Rated voltage : 300V  
Rated current : 10A  
Contact resistance : 20mΩ  
Insulation resistance : 5000MΩ/DC1000V  
Withstanding voltage: AC2000V/1Min  
Wire range : 26-12AWG 2.5mm<sup>2</sup>

● **Mechanical**

Temp.Range : -40°C~+105°C  
Strip length : 10-11mm

● **材质及电镀**

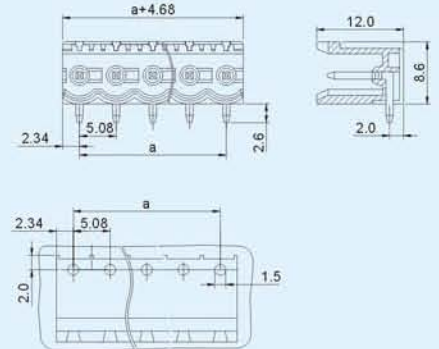
触点材料: 磷青铜  
塑件 : PA66, UL94V-0

● **电气性能**

额定电压: 300V  
额定电流: 10A  
接触电阻: 20mΩ  
绝缘电阻: 5000MΩ/DC1000V  
耐电压 : AC2000V/1Min  
使用线径: 26-12AWG 2.5mm<sup>2</sup>

● **机械性能**

温度范围: -40°C~+105°C  
剥线长度: 10-11mm



Pitch:5.08mm;Poles:2P~24P

● **Material**

Pinheader :Brass,Tin plated  
Housing : LCP,UL94V-0

● **Electrical**

Rated voltage : 300V  
Rated current : 15A  
Contact resistance : 20mΩ  
Insulation resistance : 5000MΩ/DC1000V  
Withstanding voltage: AC2000V/1Min

● **Mechanical**

Temp.Range : -40°C~+260°C

● **材质及电镀**

焊针 : 黄铜, 镀锡  
塑件 : LCP, UL94V-0

● **电气性能**

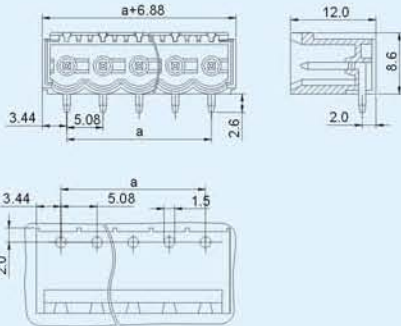
额定电压: 300V  
额定电流: 15A  
接触电阻: 20mΩ  
绝缘电阻: 5000MΩ/DC1000V  
耐电压 : AC2000V/1Min

● **机械性能**

温度范围: -40°C~+260°C



**2EDGRC-THT-5.08**



Pitch: 5.08mm; Poles: 2P~24P

● **Material**

Pin header : Brass, Tin plated  
Housing : LCP, UL94V-0

● **Electrical**

Rated voltage : 300V  
Rated current : 15A  
Contact resistance : 20mΩ  
Insulation resistance : 5000MΩ/DC1000V  
Withstanding voltage: AC2000V/1Min

● **Mechanical**

Temp. Range : -40°C~+260°C

● **材质及电镀**

焊针 : 黄铜, 镀锡  
塑件 : LCP, UL94V-0

● **电气性能**

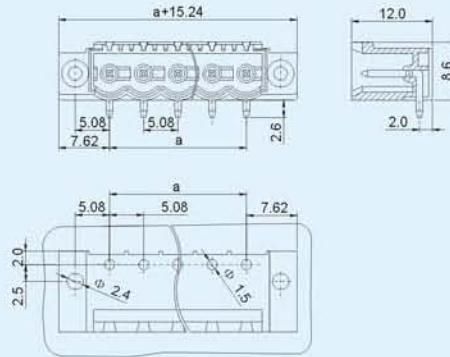
额定电压: 300V  
额定电流: 15A  
接触电阻: 20mΩ  
绝缘电阻: 5000MΩ/DC1000V  
耐电压 : AC2000V/1Min

● **机械性能**

温度范围: -40°C~+260°C



**2EDGRM-THT-5.08**



Pitch: 5.08mm; Poles: 2P~22P

● **Material**

Pinheader : Brass, Tin plated  
Housing : LCP, UL94V-0  
Nut : M2.5, Brass

● **Electrical**

Rated voltage : 300V  
Rated current : 15A  
Contact resistance : 20mΩ  
Insulation resistance : 5000MΩ/DC1000V  
Withstanding voltage: AC2000V/1Min

● **Mechanical**

Temp. Range : -40°C~+260°C

● **材质及电镀**

焊针 : 黄铜, 镀锡  
塑件 : LCP, UL94V-0  
螺母 : M2.5, 黄铜

● **电气性能**

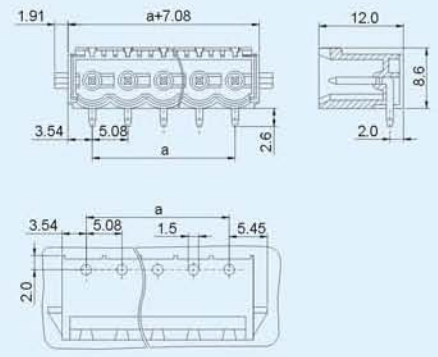
额定电压: 300V  
额定电流: 15A  
接触电阻: 20mΩ  
绝缘电阻: 5000MΩ/DC1000V  
耐电压 : AC2000V/1Min

● **机械性能**

温度范围: -40°C~+260°C



**2EDGRN-THT-5.08**



Pitch: 5.08mm; Poles: 2P~24P

● **Material**

Pinheader : Brass, Tin plated  
Housing : LCP, UL94V-0

● **Electrical**

Rated voltage : 300V  
Rated current : 15A  
Contact resistance : 20mΩ  
Insulation resistance : 5000MΩ/DC1000V  
Withstanding voltage: AC2000V/1Min

● **Mechanical**

Temp. Range : -40°C~+260°C

● **材质及电镀**

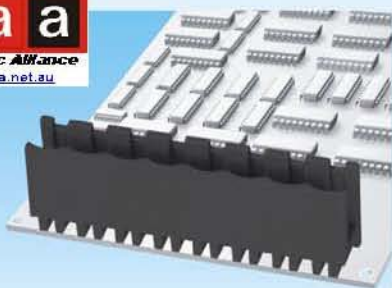
焊针 : 黄铜, 镀锡  
塑件 : LCP, UL94V-0

● **电气性能**

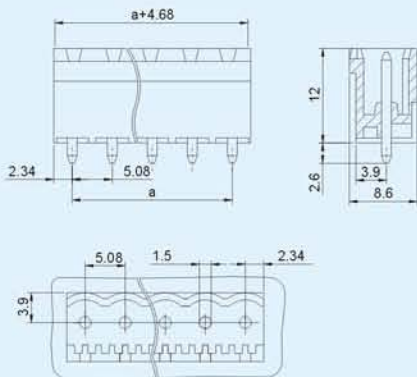
额定电压: 300V  
额定电流: 15A  
接触电阻: 20mΩ  
绝缘电阻: 5000MΩ/DC1000V  
耐电压 : AC2000V/1Min

● **机械性能**

温度范围: -40°C~+260°C



**2EDGV-THT-5.08**



Pitch:5.08mm;Poles:2P~24P

● **Material**

Pinheader : Brass, Tin plated  
Housing : LCP, UL94V-0

● **Electrical**

Rated voltage : 300V  
Rated current : 15A  
Contact resistance : 20mΩ  
Insulation resistance : 5000MΩ/DC1000V  
Withstanding voltage: AC2000V/1Min

● **Mechanical**

Temp.Range : -40°C~+260°C

● **材质及电镀**

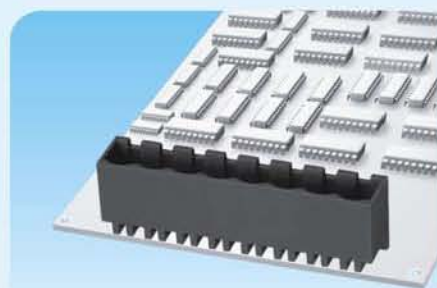
焊针 : 黄铜, 镀锡  
塑件 : LCP, UL94V-0

● **电气性能**

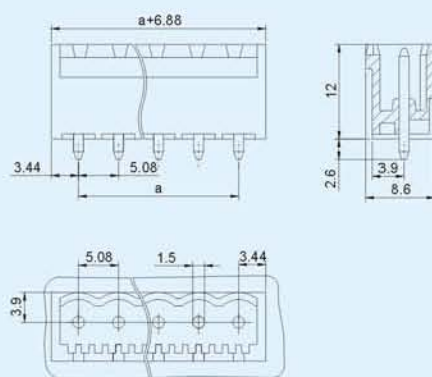
额定电压: 300V  
额定电流: 15A  
接触电阻: 20mΩ  
绝缘电阻: 5000MΩ/DC1000V  
耐电压 : AC2000V/1Min

● **机械性能**

温度范围: -40°C~+260°C



**2EDGVC-THT-5.08**



Pitch:5.08mm;Poles:2P~24P

● **Material**

Pinheader : Brass, Tin plated  
Housing : LCP, UL94V-0

● **Electrical**

Rated voltage : 300V  
Rated current : 15A  
Contact resistance : 20mΩ  
Insulation resistance : 5000MΩ/DC1000V  
Withstanding voltage: AC2000V/1Min

● **Mechanical**

Temp.Range : -40°C~+260°C

● **材质及电镀**

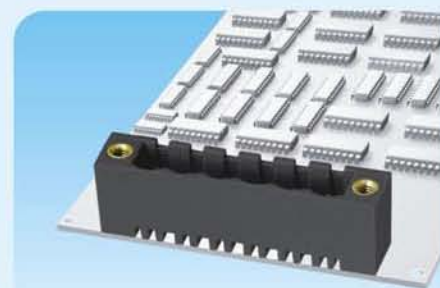
焊针 : 黄铜, 镀锡  
塑件 : LCP, UL94V-0

● **电气性能**

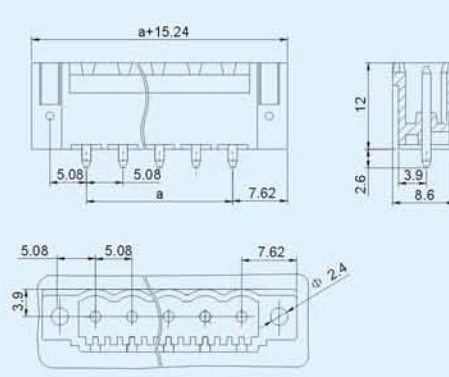
额定电压: 300V  
额定电流: 15A  
接触电阻: 20mΩ  
绝缘电阻: 5000MΩ/DC1000V  
耐电压 : AC2000V/1Min

● **机械性能**

温度范围: -40°C~+260°C



**2EDGVM-THT-5.08**



Pitch:5.08mm;Poles:2P~22P

● **Material**

Pinheader : Brass, Tin plated  
Housing : LCP, UL94V-0  
Nut : M2.5, Brass

● **Electrical**

Rated voltage : 300V  
Rated current : 15A  
Contact resistance : 20mΩ  
Insulation resistance : 5000MΩ/DC1000V  
Withstanding voltage: AC2000V/1Min

● **Mechanical**

Temp.Range : -40°C~+260°C

● **材质及电镀**

焊针 : 黄铜, 镀锡  
塑件 : LCP, UL94V-0  
螺母 : M2.5, 黄铜

● **电气性能**

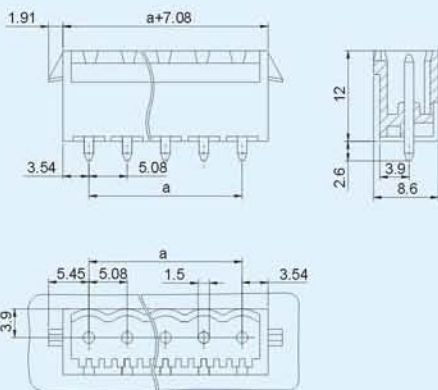
额定电压: 300V  
额定电流: 15A  
接触电阻: 20mΩ  
绝缘电阻: 5000MΩ/DC1000V  
耐电压 : AC2000V/1Min

● **机械性能**

温度范围: -40°C~+260°C



**2EDGVN-THT-5.08**



Pitch: 5.08mm; Poles: 2P~24P

**Material**

Pin header : Brass, Tin plated  
Housing : LCP, UL94V-0

**Electrical**

Rated voltage : 300V  
Rated current : 15A  
Contact resistance : 20mΩ  
Insulation resistance : 5000MΩ/DC1000V  
Withstanding voltage: AC2000V/1Min

**Mechanical**

Temp.Range : -40°C~+260°C

**材质及电镀**

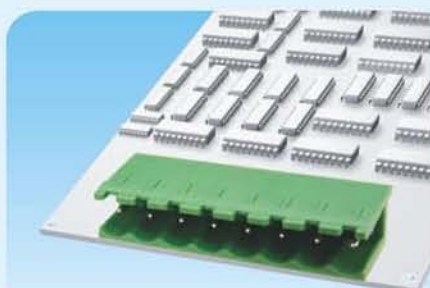
焊针 : 黄铜, 镀锡  
塑件 : LCP, UL94V-0

**电气性能**

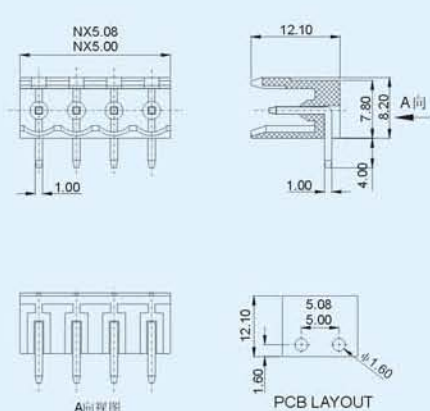
额定电压: 300V  
额定电流: 15A  
接触电阻: 20mΩ  
绝缘电阻: 5000MΩ/DC1000V  
耐电压 : AC2000V/1Min

**机械性能**

温度范围: -40°C~+260°C



**2EDGR-5.0 2EDGR-5.08  
2EDGR-7.5 2EDGR-7.62**



Pitch: 5.0mm, 5.08mm, 7.5mm, 7.62mm  
Poles: 2P~24P

**Material**

Pin header : Brass, Tin plated  
Housing : PA66, UL94V-0

**Electrical**

Rated voltage : 300V  
Rated current : 15A  
Contact resistance : 20mΩ  
Insulation resistance: 5000MΩ/DC1000V  
Withstanding voltage: AC2000V/1Min

**Mechanical**

Temp.Range : -40°C~+105°C

**材质及电镀**

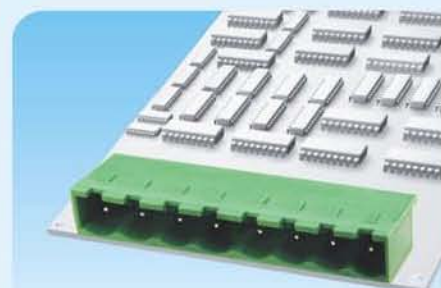
焊针 : 黄铜, 镀锡  
塑件 : PA66, UL94V-0

**电气性能**

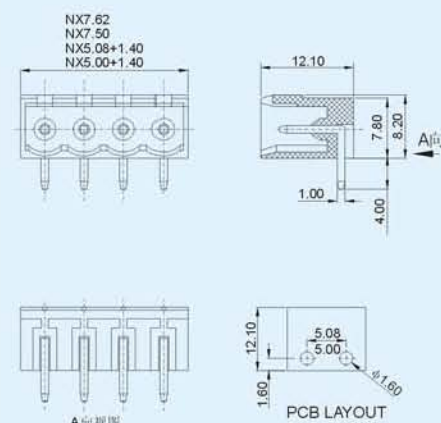
额定电压: 300V  
额定电流: 15A  
接触电阻: 20mΩ  
绝缘电阻: 5000MΩ/DC1000V  
耐电压 : AC2000V/1Min

**机械性能**

温度范围: -40°C~+105°C



**2EDGRC-5.0 2EDGRC-5.08  
2EDGRC-7.5 2EDGRC-7.62**



Pitch: 5.0mm, 5.08mm, 7.5mm, 7.62mm  
Poles: 2P~24P

**Material**

Pin header : Brass, Tin plated  
Housing : PA66, UL94V-0

**Electrical**

Rated voltage : 300V  
Rated current : 15A  
Contact resistance : 20mΩ  
Insulation resistance: 5000MΩ/DC1000V  
Withstanding voltage: AC2000V/1Min

**Mechanical**

Temp.Range : -40°C~+105°C

**材质及电镀**

焊针 : 黄铜, 镀锡  
塑件 : PA66, UL94V-0

**电气性能**

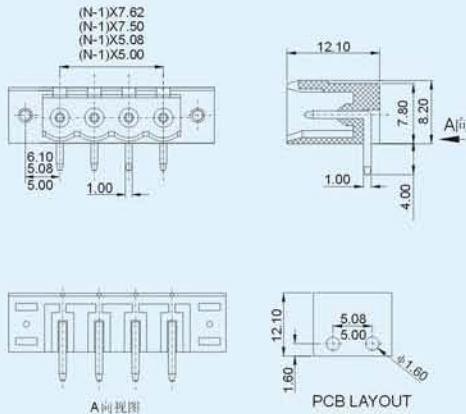
额定电压: 300V  
额定电流: 15A  
接触电阻: 20mΩ  
绝缘电阻: 5000MΩ/DC1000V  
耐电压 : AC2000V/1Min

**机械性能**

温度范围: -40°C~+105°C



**2EDGRM-5.0 2EDGRM-5.08**  
**2EDGRM-7.5 2EDGRM-7.62**



Pitch: 5.0mm, 5.08mm, 7.5mm, 7.62mm  
Poles: 2P~22P

**Material**

Pin header : Brass, Tin plated  
Housing : PA66, UL94V-0  
Nut : M2.5, Brass

**Electrical**

Rated voltage : 300V  
Rated current : 15A  
Contact resistance : 20mΩ  
Insulation resistance: 5000MΩ/DC1000V  
Withstanding voltage: AC2000V/1Min

**Mechanical**

Temp. Range : -40°C~+105°C

**材质及电镀**

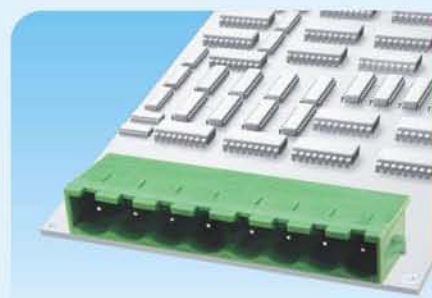
焊针 : 黄铜, 镀锡  
塑件 : PA66, UL94V-0  
螺母 : M2.5, 黄铜

**电气性能**

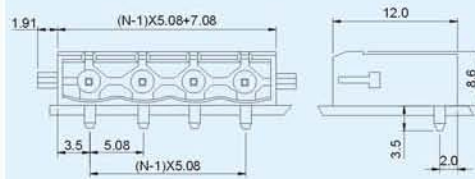
额定电压 : 300V  
额定电流 : 15A  
接触电阻 : 20mΩ  
绝缘电阻 : 5000MΩ/DC1000V  
耐电压 : AC2000V/1Min

**机械性能**

温度范围 : -40°C~+105°C



**2EDGRN-5.08**



Pitch: 5.08mm; Poles: 2P~24P

**Material**

Pin header : Brass, Tin plated  
Housing : PA66, UL94V-0

**Electrical**

Rated voltage : 300V  
Rated current : 15A  
Contact resistance : 20mΩ  
Insulation resistance: 5000MΩ/DC1000V  
Withstanding voltage: AC2000V/1Min

**Mechanical**

Temp. Range : -40°C~+105°C

**材质及电镀**

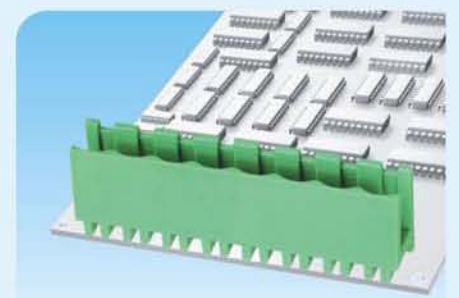
焊针 : 黄铜, 镀锡  
塑件 : PA66, UL94V-0

**电气性能**

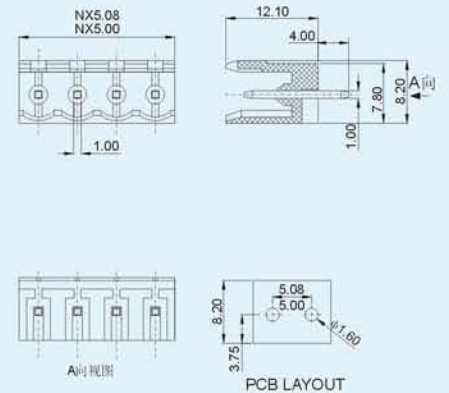
额定电压 : 300V  
额定电流 : 15A  
接触电阻 : 20mΩ  
绝缘电阻 : 5000MΩ/DC1000V  
耐电压 : AC2000V/1Min

**机械性能**

温度范围 : -40°C~+105°C



**2EDGV-5.0 2EDGV-5.08**  
**2EDGV-7.5 2EDGV-7.62**



Pitch: 5.0mm, 5.08mm, 7.5mm, 7.62mm  
Poles: 2P~24P

**Material**

Pin header : Brass, Tin plated  
Housing : PA66, UL94V-0

**Electrical**

Rated voltage : 300V  
Rated current : 15A  
Contact resistance : 20mΩ  
Insulation resistance: 5000MΩ/DC1000V  
Withstanding voltage: AC2000V/1Min

**Mechanical**

Temp. Range : -40°C~+105°C

**材质及电镀**

焊针 : 黄铜, 镀锡  
塑件 : PA66, UL94V-0

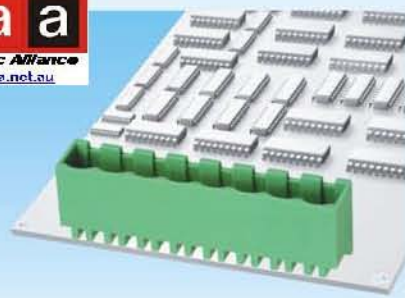
**电气性能**

额定电压 : 300V  
额定电流 : 15A  
接触电阻 : 20mΩ  
绝缘电阻 : 5000MΩ/DC1000V  
耐电压 : AC2000V/1Min

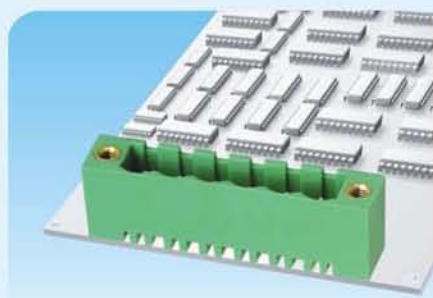
**机械性能**

温度范围 : -40°C~+105°C

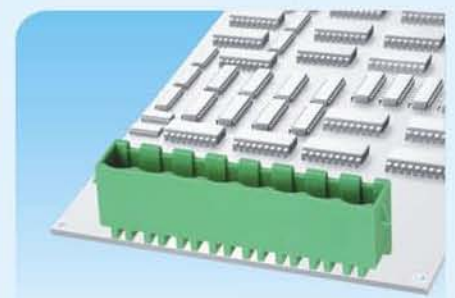




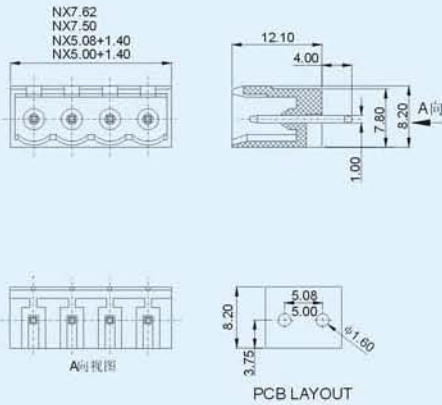
**2EDGVC-5.0 2EDGVC-5.08**  
**2EDGVC-7.5 2EDGVC-7.62**



**2EDGVM-5.0 2EDGVM-5.08**  
**2EDGVM-7.5 2EDGVM-7.62**

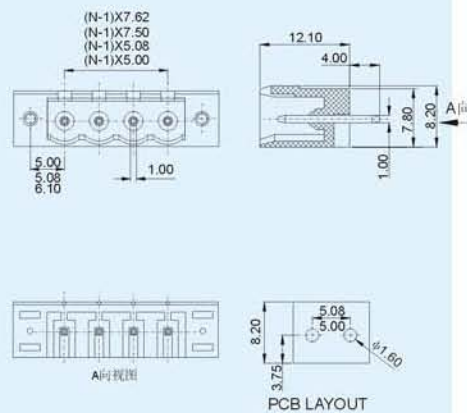


**2EDGVN-5.08**



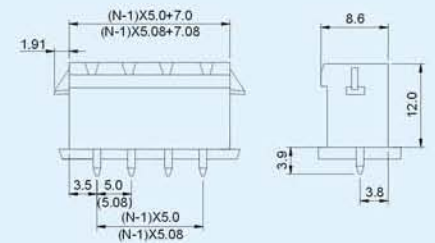
Pitch:5.0mm,5.08mm,7.5mm,7.62mm  
Poles:2P~24P

- Material**  
 Pin header : Brass, Tin plated  
 Housing : PA66, UL94V-0
- Electrical**  
 Rated voltage : 300V  
 Rated current : 15A  
 Contact resistance : 20mΩ  
 Insulation resistance: 5000MΩ/DC1000V  
 Withstanding voltage: AC2000V/1Min
- Mechanical**  
 Temp.Range : -40°C~+105°C
- 材质及电镀**  
 焊针 : 黄铜, 镀锡  
 塑件 : PA66, UL94V-0
- 电气性能**  
 额定电压 : 300V  
 额定电流 : 15A  
 接触电阻 : 20mΩ  
 绝缘电阻 : 5000MΩ/DC1000V  
 耐电压 : AC2000V/1Min
- 机械性能**  
 温度范围 : -40°C~+105°C



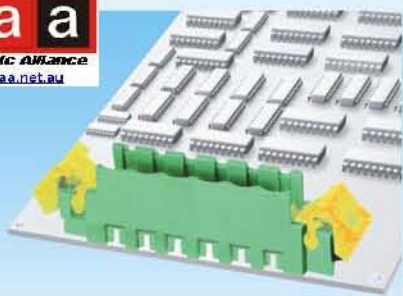
Pitch:5.0mm,5.08mm,7.5mm,7.62mm  
Poles:2P~22P

- Material**  
 Pin header : Brass, Tin plated  
 Housing : PA66, UL94V-0  
 Nut : M2.5, Brass
- Electrical**  
 Rated voltage : 300V  
 Rated current : 15A  
 Contact resistance : 20mΩ  
 Insulation resistance: 5000MΩ/DC1000V  
 Withstanding voltage: AC2000V/Min
- Mechanical**  
 Temp.Range : -40°C~+105°C
- 材质及电镀**  
 焊针 : 黄铜, 镀锡  
 塑件 : PA66, UL94V-0  
 螺母 : M2.5, 黄铜
- 电气性能**  
 额定电压 : 300V  
 额定电流 : 15A  
 接触电阻 : 20mΩ  
 绝缘电阻 : 5000MΩ/DC1000V  
 耐电压 : AC2000V/Min
- 机械性能**  
 温度范围 : -40°C~+105°C

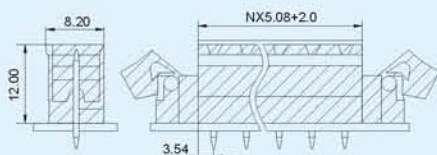


Pitch:5.08mm;Poles:2P~24P

- Material**  
 Pin header : Brass, Tin plated  
 Housing : PA66, UL94V-0
- Electrical**  
 Rated voltage : 300V  
 Rated current : 15A  
 Contact resistance : 20mΩ  
 Insulation resistance: 5000MΩ/DC1000V  
 Withstanding voltage: AC2000V/Min
- Mechanical**  
 Temp.Range : -40°C~+105°C
- 材质及电镀**  
 焊针 : 黄铜, 镀锡  
 塑件 : PA66, UL94V-0
- 电气性能**  
 额定电压 : 300V  
 额定电流 : 15A  
 接触电阻 : 20mΩ  
 绝缘电阻 : 5000MΩ/DC1000V  
 耐电压 : AC2000V/Min
- 机械性能**  
 温度范围 : -40°C~+105°C



**2EDGVB-5.08**



PCB LAYOUT

Pitch:5.08mm;Poles:2P~24P

● **Material**

Pin header : Brass, Tin plated  
Housing : PA66, UL94V-0

● **Electrical**

Rated voltage : 300V  
Rated current : 15A  
Contact resistance : 20mΩ  
Insulation resistance : 5000MΩ/DC1000V  
Withstanding voltage: AC2000V/1Min

● **Mechanical**

Temp.Range : -40°C~+105°C

● **材质及电镀**

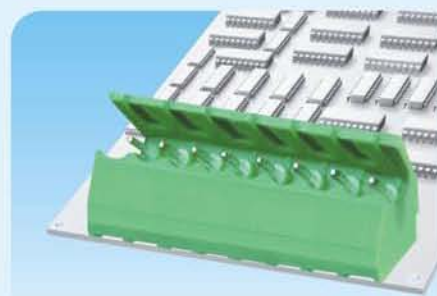
焊针 : 黄铜, 镀锡  
塑件 : PA66, UL94V-0

● **电气性能**

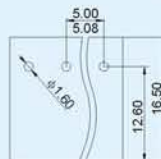
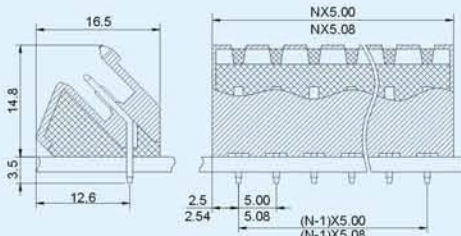
额定电压: 300V  
额定电流: 15A  
接触电阻: 20mΩ  
绝缘电阻: 5000MΩ/DC1000V  
耐电压 : AC2000V/1Min

● **机械性能**

温度范围: -40°C~+105°C



**2EDGL-5.0  
2EDGL-5.08**



PCB LAYOUT

Pitch:5.0mm,5.08mm;Poles:2P~24P

● **Material**

Pin header : Brass, Tin plated  
Housing : PA66, UL94V-0

● **Electrical**

Rated voltage : 300V  
Rated current : 15A  
Contact resistance : 20mΩ  
Insulation resistance : 5000MΩ/DC1000V  
Withstanding voltage: AC2000V/1Min

● **Mechanical**

Temp.Range : -40°C~+105°C

● **材质及电镀**

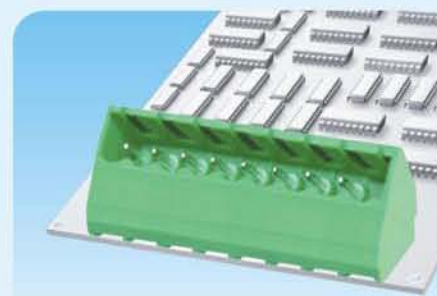
焊针 : 黄铜, 镀锡  
塑件 : PA66, UL94V-0

● **电气性能**

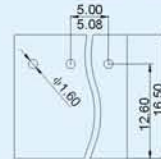
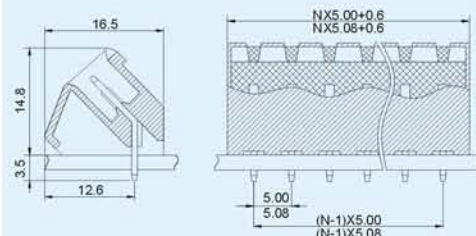
额定电压: 300V  
额定电流: 15A  
接触电阻: 20mΩ  
绝缘电阻: 5000MΩ/DC1000V  
耐电压 : AC2000V/1Min

● **机械性能**

温度范围: -40°C~+105°C



**2EDGLC-5.0  
2EDGLC-5.08**



PCB LAYOUT

Pitch:5.0mm,5.08mm;Poles:2P~24P

● **Material**

Pin header : Brass, Tin plated  
Housing : PA66, UL94V-0

● **Electrical**

Rated voltage : 300V  
Rated current : 15A  
Contact resistance : 20mΩ  
Insulation resistance : 5000MΩ/DC1000V  
Withstanding voltage: AC2000V/1Min

● **Mechanical**

Temp.Range : -40°C~+105°C

● **材质及电镀**

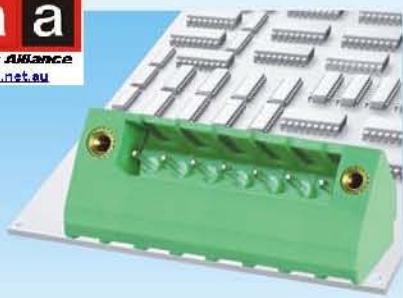
焊针 : 黄铜, 镀锡  
塑件 : PA66, UL94V-0

● **电气性能**

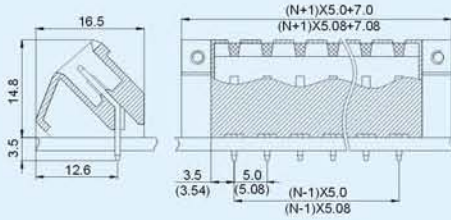
额定电压: 300V  
额定电流: 15A  
接触电阻: 20mΩ  
绝缘电阻: 5000MΩ/DC1000V  
耐电压 : AC2000V/1Min

● **机械性能**

温度范围: -40°C~+105°C



**2EDGLM-5.0**  
**2EDGLM-5.08**



Pitch: 5.0mm, 5.08mm; Poles: 2P~22P

● **Material**

Pin header : Brass, Tin plated  
Housing : PA66, UL94V-0  
Nut : M2.5, Brass

● **Electrical**

Rated voltage : 300V  
Rated current : 15A  
Contact resistance : 20mΩ  
Insulation resistance : 5000MΩ/DC1000V  
Withstanding voltage: AC2000V/1Min

● **Mechanical**

Temp. Range : -40°C~+105°C

● **材质及电镀**

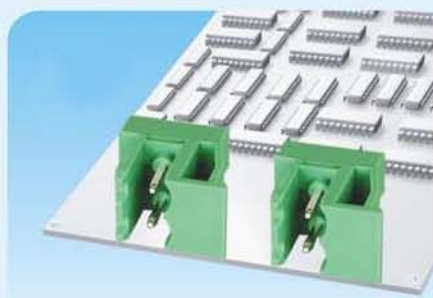
焊针 : 黄铜, 镀锡  
塑件 : PA66, UL94V-0  
螺母 : M2.5, 黄铜

● **电气性能**

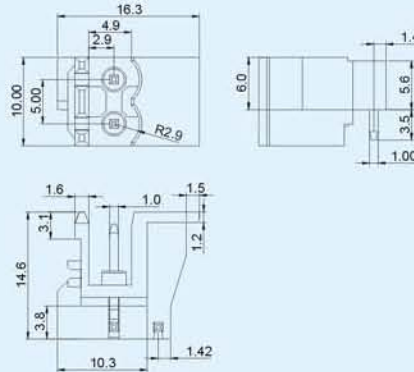
额定电压: 300V  
额定电流: 15A  
接触电阻: 20mΩ  
绝缘电阻: 5000MΩ/DC1000V  
耐电压 : AC2000V/1Min

● **机械性能**

温度范围: -40°C~+105°C



**2EDGLF-5.0**



Pitch: 5.0mm; Poles: 2P~4P

● **Material**

Pin header : Brass, Tin plated  
Housing : PA66, UL94V-0

● **Electrical**

Rated voltage : 300V  
Rated current : 15A  
Contact resistance : 20mΩ  
Insulation resistance : 5000MΩ/DC1000V  
Withstanding voltage: AC2000V/1Min

● **Mechanical**

Temp. Range : -40°C~+105°C

● **材质及电镀**

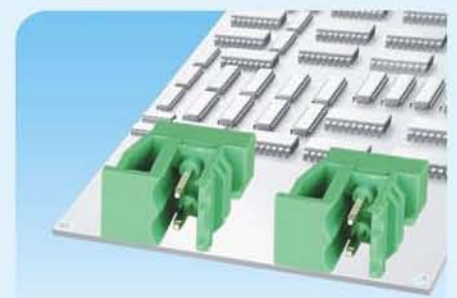
焊针 : 黄铜, 镀锡  
塑件 : PA66, UL94V-0

● **电气性能**

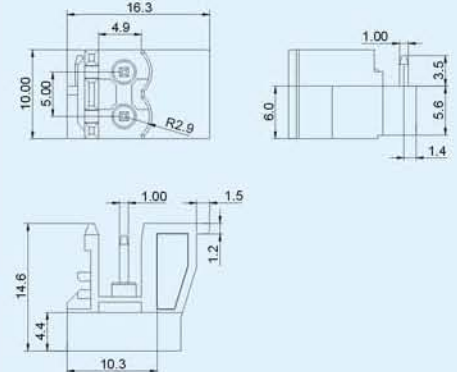
额定电压: 300V  
额定电流: 15A  
接触电阻: 20mΩ  
绝缘电阻: 5000MΩ/DC1000V  
耐电压 : AC2000V/1Min

● **机械性能**

温度范围: -40°C~+105°C



**2EDGRF-5.0**



Pitch: 5.0mm; Poles: 2P~4P

● **Material**

Pin header : Brass, Tin plated  
Housing : PA66, UL94V-0

● **Electrical**

Rated voltage : 300V  
Rated current : 15A  
Contact resistance : 20mΩ  
Insulation resistance : 5000MΩ/DC1000V  
Withstanding voltage: AC2000V/1Min

● **Mechanical**

Temp. Range : -40°C~+105°C

● **材质及电镀**

焊针 : 黄铜, 镀锡  
塑件 : PA66, UL94V-0

● **电气性能**

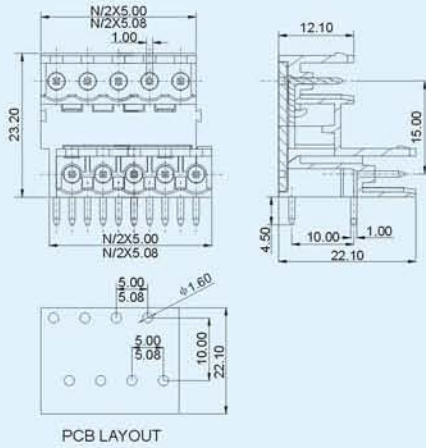
额定电压: 300V  
额定电流: 15A  
接触电阻: 20mΩ  
绝缘电阻: 5000MΩ/DC1000V  
耐电压 : AC2000V/1Min

● **机械性能**

温度范围: -40°C~+105°C



**2EDGRT-5.0**  
**2EDGRT-5.08**



Pitch: 5.0mm, 5.08mm; Poles: 2\* (2P, 3P~24P)

**Material**

Pin header : Brass, Tin plated  
Housing : PA66, UL94V-0

**Electrical**

Rated voltage : 300V  
Rated current : 15A  
Contact resistance : 20m $\Omega$   
Insulation resistance : 5000M $\Omega$ /DC1000V  
Withstanding voltage: AC2000V/1Min

**Mechanical**

Temp. Range : -40 $^{\circ}$ C~+105 $^{\circ}$ C

**材质及电镀**

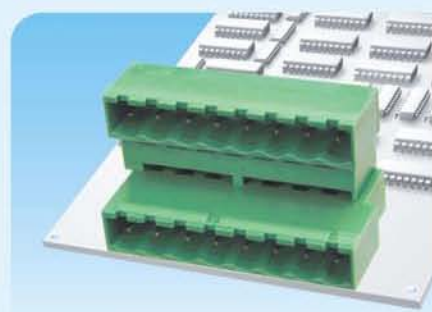
焊针 : 黄铜, 镀锡  
塑件 : PA66, UL94V-0

**电气性能**

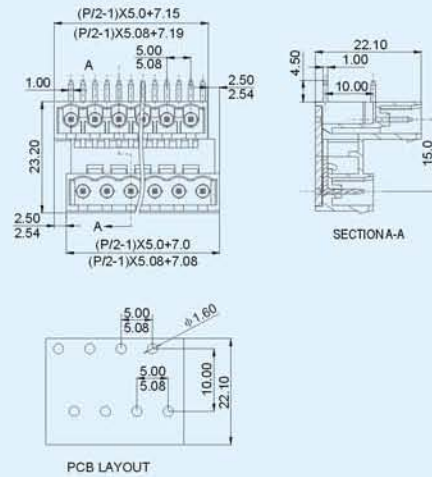
额定电压 : 300V  
额定电流 : 15A  
接触电阻 : 20m $\Omega$   
绝缘电阻 : 5000M $\Omega$ /DC1000V  
耐电压 : AC2000V/1Min

**机械性能**

温度范围 : -40 $^{\circ}$ C~+105 $^{\circ}$ C



**2EDGRTC-5.0**  
**2EDGRTC-5.08**



Pitch: 5.0mm, 5.08mm; Poles: 2\* (2P~24P)

**Material**

Pin header : Brass, Tin plated  
Housing : PA66, UL94V-0

**Electrical**

Rated voltage : 300V  
Rated current : 15A  
Contact resistance : 20m $\Omega$   
Insulation resistance: 5000M $\Omega$ /DC1000V  
Withstanding voltage: AC2000V/1Min

**Mechanical**

Temp. Range : -40 $^{\circ}$ C~+105 $^{\circ}$ C

**材质及电镀**

焊针 : 黄铜, 镀锡  
塑件 : PA66, UL94V-0

**电气性能**

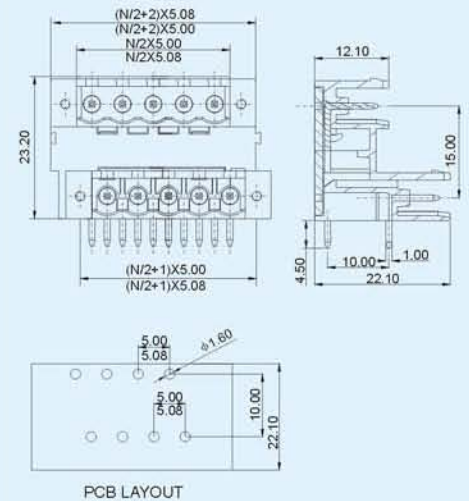
额定电压 : 300V  
额定电流 : 15A  
接触电阻 : 20m $\Omega$   
绝缘电阻 : 5000M $\Omega$ /DC1000V  
耐电压 : AC2000V/1Min

**机械性能**

温度范围 : -40 $^{\circ}$ C~+105 $^{\circ}$ C



**2EDGRTM-5.0**  
**2EDGRTM-5.08**



Pitch: 5.0mm, 5.08mm; Poles: 2\* (2P~22P)

**Material**

Pin header : Brass, Tin plated  
Housing : PA66, UL94V-0  
Nut : M2.5, Brass

**Electrical**

Rated voltage : 300V  
Rated current : 15A  
Contact resistance : 20m $\Omega$   
Insulation resistance: 5000M $\Omega$ /DC1000V  
Withstanding voltage: AC2000V/1Min

**Mechanical**

Temp. Range : -40 $^{\circ}$ C~+105 $^{\circ}$ C

**材质及电镀**

焊针 : 黄铜, 镀锡  
塑件 : PA66, UL94V-0  
螺母 : M2.5, 黄铜

**电气性能**

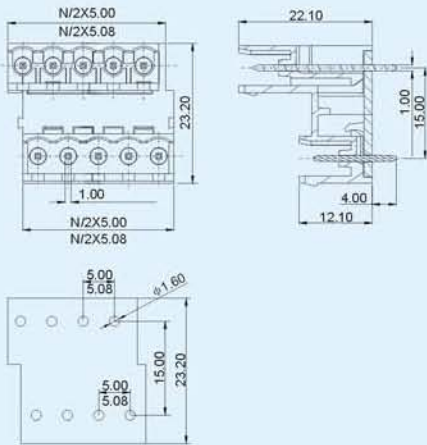
额定电压 : 300V  
额定电流 : 15A  
接触电阻 : 20m $\Omega$   
绝缘电阻 : 5000M $\Omega$ /DC1000V  
耐电压 : AC2000V/1Min

**机械性能**

温度范围 : -40 $^{\circ}$ C~+105 $^{\circ}$ C



**2EDGVT-5.0**  
**2EDGVT-5.08**



Pitch: 5.0mm, 5.08mm; Poles: 2\*(2P, 3P~24P)

**Material**

Pin header : Brass, Tin plated  
Housing : PA66, UL94V-0

**Electrical**

Rated voltage : 300V  
Rated current : 15A  
Contact resistance : 20mΩ  
Insulation resistance: 5000MΩ/DC1000V  
Withstanding voltage: AC2000V/1Min

**Mechanical**

Temp. Range : -40°C~+105°C

**材质及电镀**

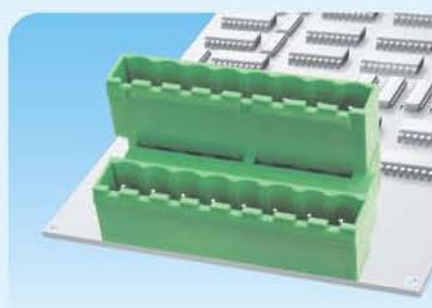
焊针 : 黄铜, 镀锡  
塑件 : PA66, UL94V-0

**电气性能**

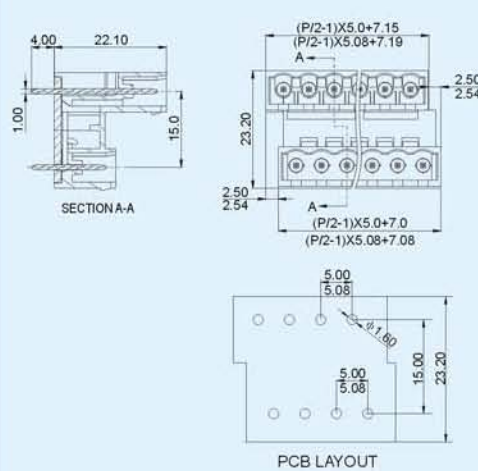
额定电压 : 300V  
额定电流 : 15A  
接触电阻 : 20mΩ  
绝缘电阻 : 5000MΩ/DC1000V  
耐电压 : AC2000V/1Min

**机械性能**

温度范围 : -40°C~+105°C



**2EDGVTC-5.0**  
**2EDGVTC-5.08**



Pitch: 5.0mm, 5.08mm; Poles: 2\*(2P~24P)

**Material**

Pin header : Brass, Tin plated  
Housing : PA66, UL94V-0

**Electrical**

Rated voltage : 300V  
Rated current : 15A  
Contact resistance : 20mΩ  
Insulation resistance: 5000MΩ/DC1000V  
Withstanding voltage: AC2000V/1Min

**Mechanical**

Temp. Range : -40°C~+105°C

**材质及电镀**

焊针 : 黄铜, 镀锡  
塑件 : PA66, UL94V-0

**电气性能**

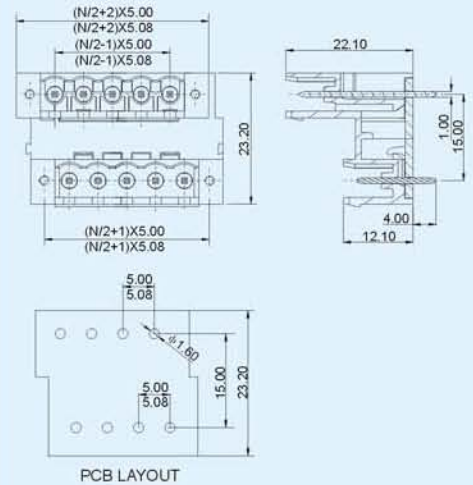
额定电压 : 300V  
额定电流 : 15A  
接触电阻 : 20mΩ  
绝缘电阻 : 5000MΩ/DC1000V  
耐电压 : AC2000V/1Min

**机械性能**

温度范围 : -40°C~+105°C



**2EDGVTM-5.0**  
**2EDGVTM-5.08**



Pitch: 5.0mm, 5.08mm; Poles: 2\*(2P~24P)

**Material**

Pin header : Brass, Tin plated  
Housing : PA66, UL94V-0  
Nut : M2.5, Brass

**Electrical**

Rated voltage : 300V  
Rated current : 15A  
Contact resistance : 20mΩ  
Insulation resistance: 5000MΩ/DC1000V  
Withstanding voltage: AC2000V/1Min

**Mechanical**

Temp. Range : -40°C~+105°C

**材质及电镀**

焊针 : 黄铜, 镀锡  
塑件 : PA66, UL94V-0  
螺母 : M2.5, 黄铜

**电气性能**

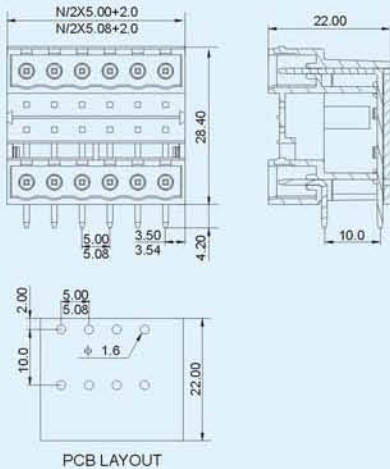
额定电压 : 300V  
额定电流 : 15A  
接触电阻 : 20mΩ  
绝缘电阻 : 5000MΩ/DC1000V  
耐电压 : AC2000V/1Min

**机械性能**

温度范围 : -40°C~+105°C



**2EDGRH-5.0**  
**2EDGRH-5.08**



Pitch: 5.0mm, 5.08mm; Poles: 2\* (2P~24P)

● **Material**

Pin header : Brass, Tin plated  
Housing : PA66, UL94V-0

● **Electrical**

Rated voltage : 300V  
Rated current : 15A  
Contact resistance : 20m $\Omega$   
Insulation resistance: 5000M $\Omega$  / DC1000V  
Withstanding voltage: AC2000V/1Min

● **Mechanical**

Temp Range : -40°C~+105°C

● **材质及电镀**

焊针 : 黄铜, 镀锡  
塑件 : PA66, UL94V-0

● **电气性能**

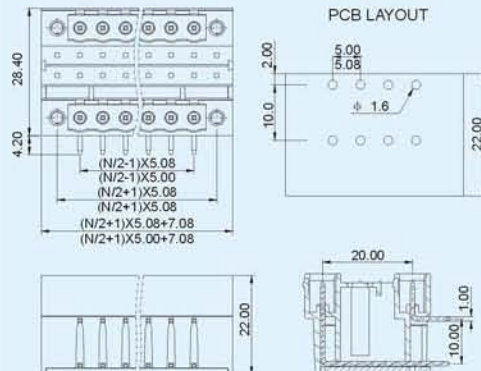
额定电压 : 300V  
额定电流 : 15A  
接触电阻 : 20m $\Omega$   
绝缘电阻 : 5000M $\Omega$  / DC1000V  
耐电压 : AC2000V/1Min

● **机械性能**

温度范围 : -40°C~+105°C



**2EDGRHM-5.0**  
**2EDGRHM-5.08**



Pitch: 5.0mm, 5.08mm; Poles: 2\* (2P~22P)

● **Material**

Pin header : Brass, Tin plated  
Housing : PA66, UL94V-0  
Nut : M2.5, Brass

● **Electrical**

Rated voltage : 300V  
Rated current : 15A  
Contact resistance : 20m $\Omega$   
Insulation resistance: 5000M $\Omega$  / DC1000V  
Withstanding voltage: AC2000V/1Min

● **Mechanical**

Temp. Range : -40°C~+105°C

● **材质及电镀**

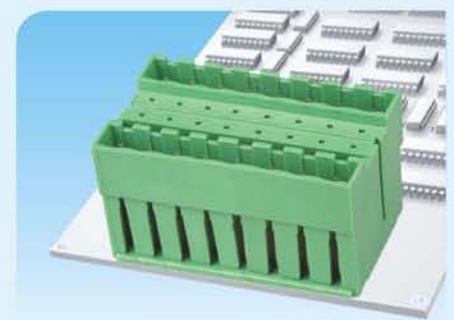
焊针 : 黄铜, 镀锡  
塑件 : PA66, UL94V-0  
螺母 : M2.5, 黄铜

● **电气性能**

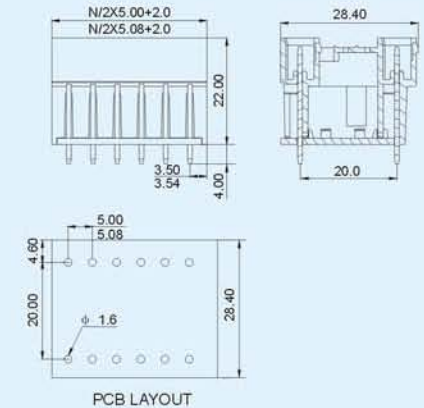
额定电压 : 300V  
额定电流 : 15A  
接触电阻 : 20m $\Omega$   
绝缘电阻 : 5000M $\Omega$  / DC1000V  
耐电压 : AC2000V/1Min

● **机械性能**

温度范围 : -40°C~+105°C



**2EDGVH-5.0**  
**2EDGVH-5.08**



Pitch: 5.0mm, 5.08mm; Poles: 2\* (2P~24P)

● **Material**

Pin header : Brass, Tin plated  
Housing : PA66, UL94V-0

● **Electrical**

Rated voltage : 300V  
Rated current : 15A  
Contact resistance : 20m $\Omega$   
Insulation resistance: 5000M $\Omega$  / DC1000V  
Withstanding voltage: AC2000V/1Min

● **Mechanical**

Temp. Range : -40°C~+105°C

● **材质及电镀**

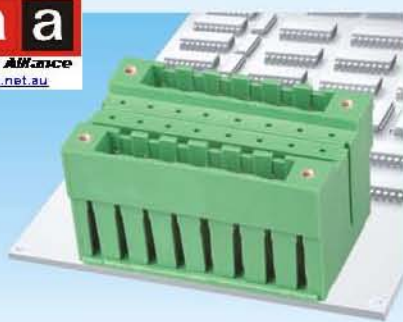
焊针 : 黄铜, 镀锡  
塑件 : PA66, UL94V-0

● **电气性能**

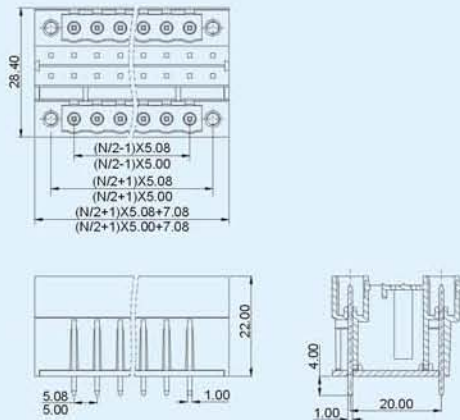
额定电压 : 300V  
额定电流 : 15A  
接触电阻 : 20m $\Omega$   
绝缘电阻 : 5000M $\Omega$  / DC1000V  
耐电压 : AC2000V/1Min

● **机械性能**

温度范围 : -40°C~+105°C



**2EDGVHM-5.0**  
**2EDGVHM-5.08**



Pitch: 5.0mm, 5.08mm; Poles: 2\*(2P~22P)

● **Material**

Pin header : Brass, Tin plated  
Housing : PA66, UL94V-0  
Nut : M2.5, Brass

● **Electrical**

Rated voltage : 300V  
Rated current : 15A  
Contact resistance : 20mΩ  
Insulation resistance: 5000MΩ / DC1000V  
Withstanding voltage: AC2000V/1Min

● **Mechanical**

Temp. Range : -40°C~+105°C

● **材质及电镀**

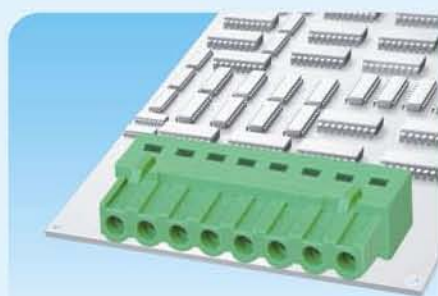
焊针 : 黄铜, 镀锡  
塑件 : PA66, UL94V-0  
螺母 : M2.5, 黄铜

● **电气性能**

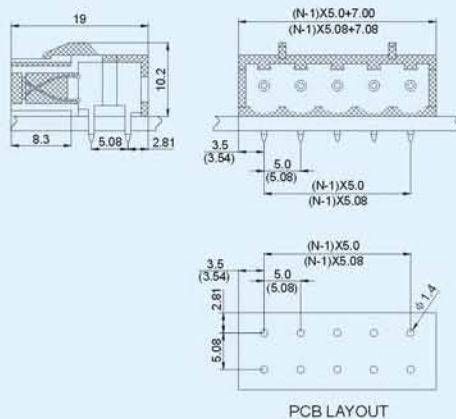
额定电压 : 300V  
额定电流 : 15A  
接触电阻 : 20mΩ  
绝缘电阻 : 5000MΩ / DC1000V  
耐电压 : AC2000V/1Min

● **机械性能**

温度范围 : -40°C~+105°C



**2EDGA-5.0 2EDGA-5.08**  
**2EDGA-7.5 2EDGA-7.62**



Pitch: 5.0mm, 5.08mm, 7.5mm, 7.62mm  
Poles: 2P~24P

● **Material**

Contact : Phospor Bronze  
Housing : PA66, UL94V-0

● **Electrical**

Rated voltage : 300V  
Rated current : 15A  
Contact resistance : 20mΩ  
Insulation resistance: 5000MΩ / DC1000V  
Withstanding voltage: AC2000V/1Min

● **Mechanical**

Temp. Range : -40°C~+105°C

● **材质及电镀**

触点材料: 磷青铜  
塑件 : PA66, UL94V-0

● **电气性能**

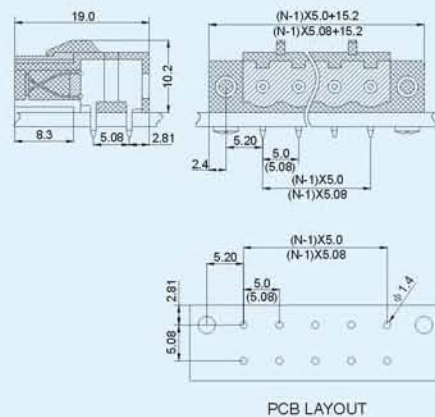
额定电压 : 300V  
额定电流 : 15A  
接触电阻 : 20mΩ  
绝缘电阻 : 5000MΩ / DC1000V  
耐电压 : AC2000V/1Min

● **机械性能**

温度范围 : -40°C~+105°C



**2EDGAM-5.0 2EDGAM-5.08**  
**2EDGAM-7.5 2EDGAM-7.62**



Pitch: 5.0mm, 5.08mm, 7.5mm, 7.62mm  
Poles: 2P~22P

● **Material**

Contact : Phospor Bronze  
Housing : PA66, UL94V-0

● **Electrical**

Rated voltage : 300V  
Rated current : 15A  
Contact resistance : 20mΩ  
Insulation resistance: 5000MΩ / DC1000V  
Withstanding voltage: AC2000V/1Min

● **Mechanical**

Temp. Range : -40°C~+105°C

● **材质及电镀**

触点材料: 磷青铜  
塑件 : PA66, UL94V-0

● **电气性能**

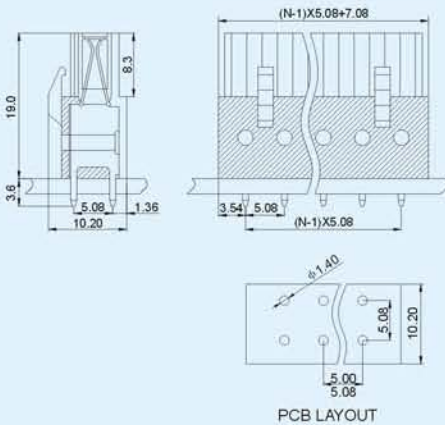
额定电压 : 300V  
额定电流 : 15A  
接触电阻 : 20mΩ  
绝缘电阻 : 5000MΩ / DC1000V  
耐电压 : AC2000V/1Min

● **机械性能**

温度范围 : -40°C~+105°C



**2EDGB-5.0 2EDGB-5.08**  
**2EDGB-7.5 2EDGB-7.62**



Pitch: 5.0mm, 5.08mm, 7.5mm, 7.62mm  
Poles: 2P~24P

**Material**

Contact : Phospor Bronze  
Housing : PA66, UL94V-0

**Electrical**

Rated voltage : 300V  
Rated current : 15A  
Contact resistance : 20m $\Omega$   
Insulation resistance : 5000M $\Omega$ /DC1000V  
Withstanding voltage: AC2000V/1Min

**Mechanical**

Temp.Range : -40 $^{\circ}$ C~+105 $^{\circ}$ C

**材质及电镀**

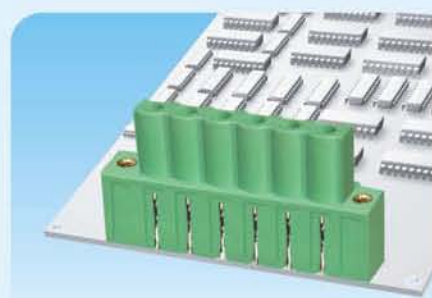
触点材料 : 磷青铜  
塑件 : PA66, UL94V-0

**电气性能**

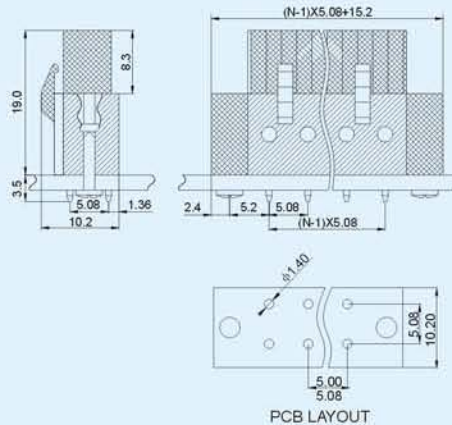
额定电压 : 300V  
额定电流 : 15A  
接触电阻 : 20m $\Omega$   
绝缘电阻 : 5000M $\Omega$ /DC1000V  
耐电压 : AC2000V/1Min

**机械性能**

温度范围 : -40 $^{\circ}$ C~+105 $^{\circ}$ C



**2EDGBM-5.0 2EDGBM-5.08**  
**2EDGBM-7.5 2EDGBM-7.62**



Pitch: 5.0mm, 5.08mm, 7.5mm, 7.62mm  
Poles: 2P~22P

**Material**

Contact : Phospor Bronze  
Housing : PA66, UL94V-0

**Electrical**

Rated voltage : 300V  
Rated current : 15A  
Contact resistance : 20m $\Omega$   
Insulation resistance : 5000M $\Omega$ /DC1000V  
Withstanding voltage: AC2000V/1Min

**Mechanical**

Temp.Range : -40 $^{\circ}$ C~+105 $^{\circ}$ C

**材质及电镀**

触点材料 : 磷青铜  
塑件 : PA66, UL94V-0

**电气性能**

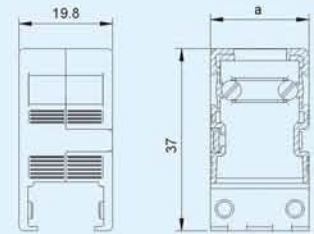
额定电压 : 300V  
额定电流 : 15A  
接触电阻 : 20m $\Omega$   
绝缘电阻 : 5000M $\Omega$ /DC1000V  
耐电压 : AC2000V/1Min

**机械性能**

温度范围 : -40 $^{\circ}$ C~+105 $^{\circ}$ C



**2EDGXA-5.0**



Pitch: 5.0mm; Poles: 2P~8P

**Material**

Housing : ABS, UL94V-0

**Mechanical**

Temp.Range : -40 $^{\circ}$ C~+105 $^{\circ}$ C

**材质及电镀**

塑件 : ABS, UL94V-0

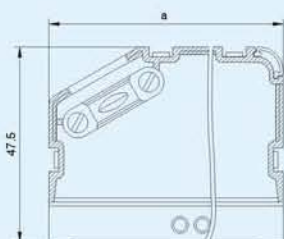
**机械性能**

温度范围 : -40 $^{\circ}$ C~+105 $^{\circ}$ C





**2EDGXB-5.0**



Pitch:5.0mm;Poles:9P~24P

● **Material**

Housing : ABS, UL94V-0

● **Mechanical**

Temp.Range : -40°C~+105°C

● **材质及电镀**

塑件 : ABS, UL94V-0

● **机械性能**

温度范围: -40°C~+105°C